



\$5.00

Ford Pickup Trucks 1948–1956



WE ALSO STOCK

Ford Model T
Ford Model A
Ford Early V8 to 1956
Chevy 1955–56-57
Chevy Pickup 1947 to 1972
Street Rod Components
Books and Manuals

Phone (604) 888-4412
Fax (604) 888-7455
www.oldcarcentre.com



The Old Car Centre

Ordering Information

Welcome to the Old Car Centre.

You have reached the most complete source of Street Rod & Reproduction parts and accessories available in Canada. We have been in business since 1977 providing our customers with the latest quality Street Rod Components. From accessories to frames to fibreglass bodies we would be pleased to help you get your project on the road. This catalogue in only a partial listing of products we carry in our inventory from over 200 manufacturers. If you don't find your exact needs listed, please call as new parts are continually being developed and made available.

ORDERING

Please use catalogue part numbers whenever possible to avoid confusion. Also be sure to tell us the year, body style and make of your car or pickup.

SHIPPING

Any prepaid order over \$250.00 will be shipped prepaid to any point in Western Canada by a carrier of our choice. Orders over \$350.00 will be shipped prepaid to all other Canadian destinations. Any mailable order over \$45.00 will be shipped prepaid. Under \$45.00 please add 10% for shipping. Minimum shipping Charge is \$5.00. All tires, fibreglass, headliner kits, frames and box bedwood will be shipped freight collect. We cannot be responsible for shipping damage. **If your parts are damaged during shipping, contact the carrier immediately for compensation.**

PAYMENT

In addition to accepting Visa and Mastercard on both mail and phone in orders, we also accept money orders and cheques. Please allow 10 days for your personal cheque to clear the bank. We also will ship C.O.D. by cash, money order or cashiers cheque, if you prefer. B.C. residents please add 7% provincial sales tax to all orders with the exception of books.

SPECIAL ORDERS

A 50% NON-REFUNDABLE deposit is required on all special orders. **All sales are final on non-stocking and special order items.**

RETURNS

Your satisfaction is guaranteed on all parts used as originally intended or purchase price cheerfully refunded within 30 days of purchase. Returns after 30 days however are subject to a 15% handling and restocking charge. No returns will be accepted after 90 days. Parts that have been used, painted or altered in any way are NOT returnable. **No returns will be accepted without the original invoice. Postage or shipping charges must be prepaid, as we do not accept collect shipments.** All electrical parts are NOT returnable.

MINIMUM ORDER

None: We appreciate your business

LIABILITY

We are not responsible for the use of the products in this catalogue. Neither seller or manufacturer is liable for loss, injury or damage directly arising out of the use or misuse of said products. User assumes all risk and liabilities of the products in this catalogue.

All parts are offered subject to prior sale and are subject to price change without notice. Price quotations on special order items are valid for a period of 30 days only.

Every effort will be made to maintain current published prices but all prices are subject to change without notice

Store Hours:

Monday thru Friday 8:00 am. to 5:00 pm.
Saturday 10:00 am. to 4:00 pm.
Closed Sundays and all Statutory Holidays

The Old Car Centre

#3 – 20075 92A Avenue, Langley B.C. V1M-3A5
Phone (604) 888-4412 Fax (604) 888-7455

Wheel Parts

WHEEL, HUB, DRUM & RELATED PARTS

B-1012	Lug nut	1932-72
8A-1107-A	Lug bolt front or Rear - 1/2 ton only	1948-63
8C-1125	Front Brake Drum - F100 - Imported	1948-52
TAAA-1125-A	Front Brake Drum - F100	1953-63
C4TZ-1126	Rear Brake Drum - F1 & F100	1948-67
6A-1130	Hub Cap - F1 & F100 - Stainless Steel	1948-60
2J-1130-A	Hub Cap - 3/4 ton truck - F250-350 Polished Stainless Steel	1948-56
51A-1139	Front Hub Dust Cap	1948-56
01Y-1190-A	Front Wheel Seal - F1, 2, 3	1948-56
0M-1177-A	Rear Wheel Seal - F1 & F100	1948-56
8M-1180	Retainer to Hold Rear Wheel Bearing on Axle	1948-70
01Y-1201	Front Inner Wheel Bearing - F-1,2,3	1948-56
01Y-1202	Front Inner Bearing Race - F-1,2,3	1948-56
8A-1216	Front Outer Bearing - F-1,2,3	1948-56
8A-1217	Front Outer Bearing Race - F-1,2,3	1948-56
8M-1225-A	Rear Axle Bearing - F-1 & F100	1948-70
8M-2245	Bearing Retainer to Backing Plate Gasket	1948-66
8M-2245-A	Rear Axle Housing to Backing Plate Gasket	1948-66

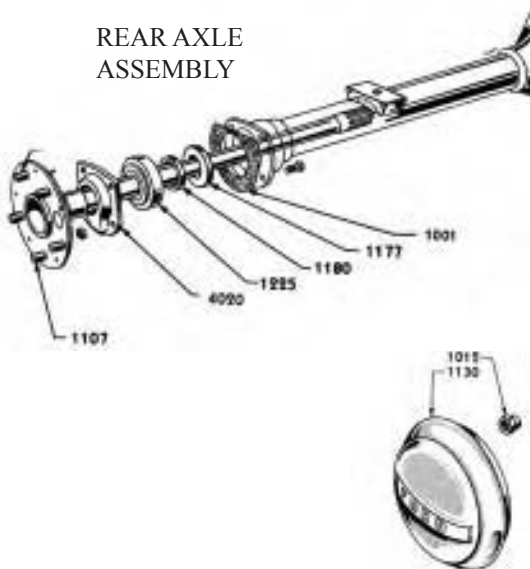


6A-1130



2J-1130-A

REAR AXLE
ASSEMBLY



FRONT WHEEL
ASSEMBLY



POLISHED STAINLESS BEAUTY RINGS

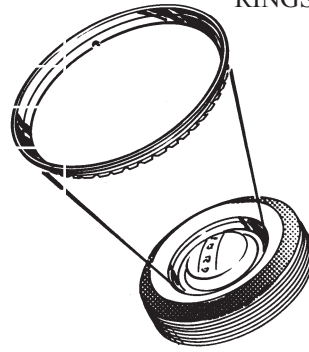
6A-18303
 OUTER BEAUTY
 RINGS

SMOOTH CONTOURED FACE

- 6A-18303-14 Beauty Ring 14" Wheels
- 6A-18303-15 Beauty Ring - 15" Wheels
- 6A-18303-16 Beauty Ring - 16" Wheels

RIBBED FACE

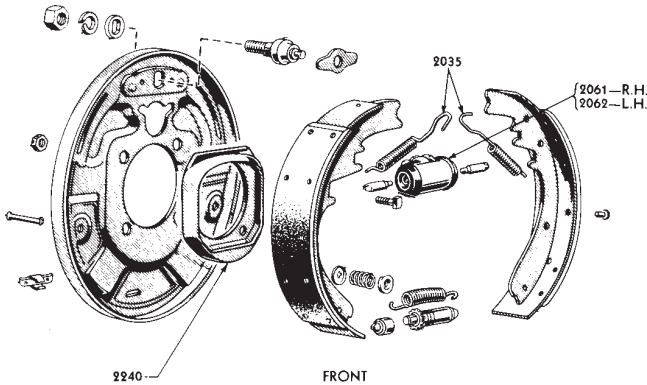
- O1A-18303-14 Beauty Ring - 14" Wheels
- O1A-18303-15 Beauty Ring - 15" Wheels
- O1A-18303-16 Beauty Ring - 16" Wheels



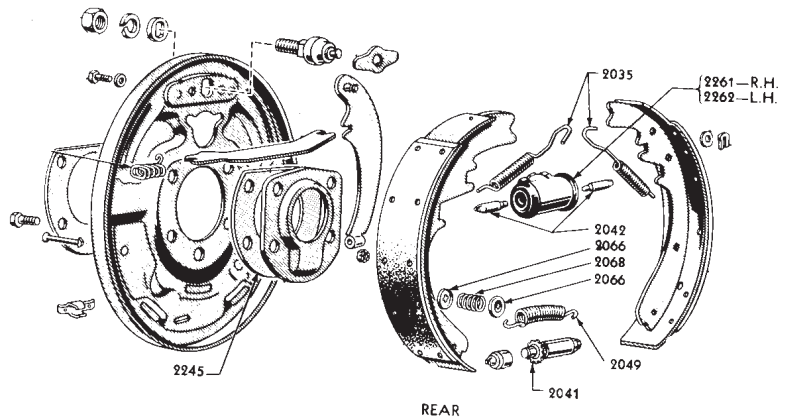
Brake Parts

BRAKE SHOES & LINING

10-2001	Front Brake Shoe & Lining Set - Four pieces - F-1	1948-67
55-2201	Rear Brake Shoe & Lining Set - Four Pieces - F-1	1948-67
51A-2001	Front Brake Shoes - F2,F3	1948-52



FRONT BRAKE ASSEMBLY



REAR BRAKE ASSEMBLY



MISCELLANEOUS BRAKE PARTS

B5A-2035-A	Brake Retracting Spring - need 2 per wheel	1948-63
B5A-2049	Brake Adjusting Screw Spring - F-1 & F100	1948-60
B5A-2041-S	Star Wheel Adjusting Screw Assembly - F-1 & F100	1948-60
7C-2065-S	Brake Shoe Hold Down Kit - F-1 & F100	1948-60
H-2092	Brake Adjusting Hole Cover - Steel	1948-63
91A-2106	Emergency Brake Arm Clip - 2 per truck	1948-72

WHEEL CYLINDER ASSEMBLIES

8C-2061	Wheel Cylinder Assembly - Right Front - F-1, F-100	1948-60
8C-2062	Wheel Cylinder Assembly - Left Front - F-1, F-100	1948-60
8M-2261	Wheel Cylinder Assembly - Right Rear - F-1, F-100	1948-54
8M-2262	Wheel Cylinder Assembly - Left Rear - F-1, F-100	1948-54
21A-2061	Wheel Cylinder Assembly - Right Front - F2,F3	1948-52
21A-2062	Wheel Cylinder Assembly - Left Front - F2,F3	1948-52
8A-2261	Wheel Cylinder Assembly - Right Rear - F-1, F-100	1955-72
8A-2262	Wheel Cylinder Assembly - Left Rear - F-1, F-100	1955-72

WHEEL CYLINDER REPAIR KITS

A8C-2128	Wheel Cylinder Repair Kit - Rear - F-1 & F100	1948-54
8A-2128	Wheel Cylinder Repair Kit - Rear - F100	1955-72
A8C-2221	Wheel Cylinder Repair Kit - Front - F-1, F-100	1948-67

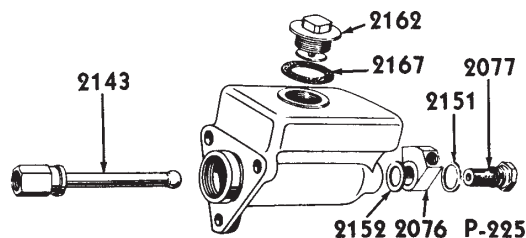
BRAKE HOSES

8A-2078	Brake Hose - Rear - F-1 & F100	1948-60
8M-2079	Brake Hose - Front - F-1	1948-52
TAAA-2078-A	Brake Hose - Front	1953-56

MASTER CYLINDER ASSEMBLIES & RELATED PARTS

91A-2140	Master Cylinder Assembly - F-1	1939-52
B3C-2140	Master Cylinder Assembly - F100	1953-56
91A-2143	Master Cylinder Push Rod	1948-56
91A-2077-A	Master Cylinder Inlet/Outlet Bolt	1948-56
91A-2167	Master Cylinder Filler Cover Gasket	1948-52
91A-2152	Copper "O" Ring Washer - Front of Outlet Block .51 I.D.	1948-56
91A-2151	Copper "O" Ring Washer - Rear of Outlet Block .61 I.D.	1948-56
8C-2076	Master Cylinder Outlet Block	1948-56
1A-2162-A	Master Cylinder Cap - Metal - F100 - 250	1953-60
8M-2167	Master Cylinder Cap Gasket -F100 - 800	1953-62
91A-2004	Master Cylinder Repair Kit - F-1 & F100	1939-56
01A-13480	Brake Light Switch on Master Cylinder	1948-56
91A-7011136	Master Cylinder Cover Plate	1948-52
BAAA-8111136	Master Cylinder Cover Plate	1953-56
91A-2180	Master Cylinder Boot	1948-56
4790	Silicon Brake Fluid - 1 Litre Bottle	

91A-7011136
MASTER CYLINDER COVER
PLATE 1948-52



MASTER CYLINDER
ASSEMBLY

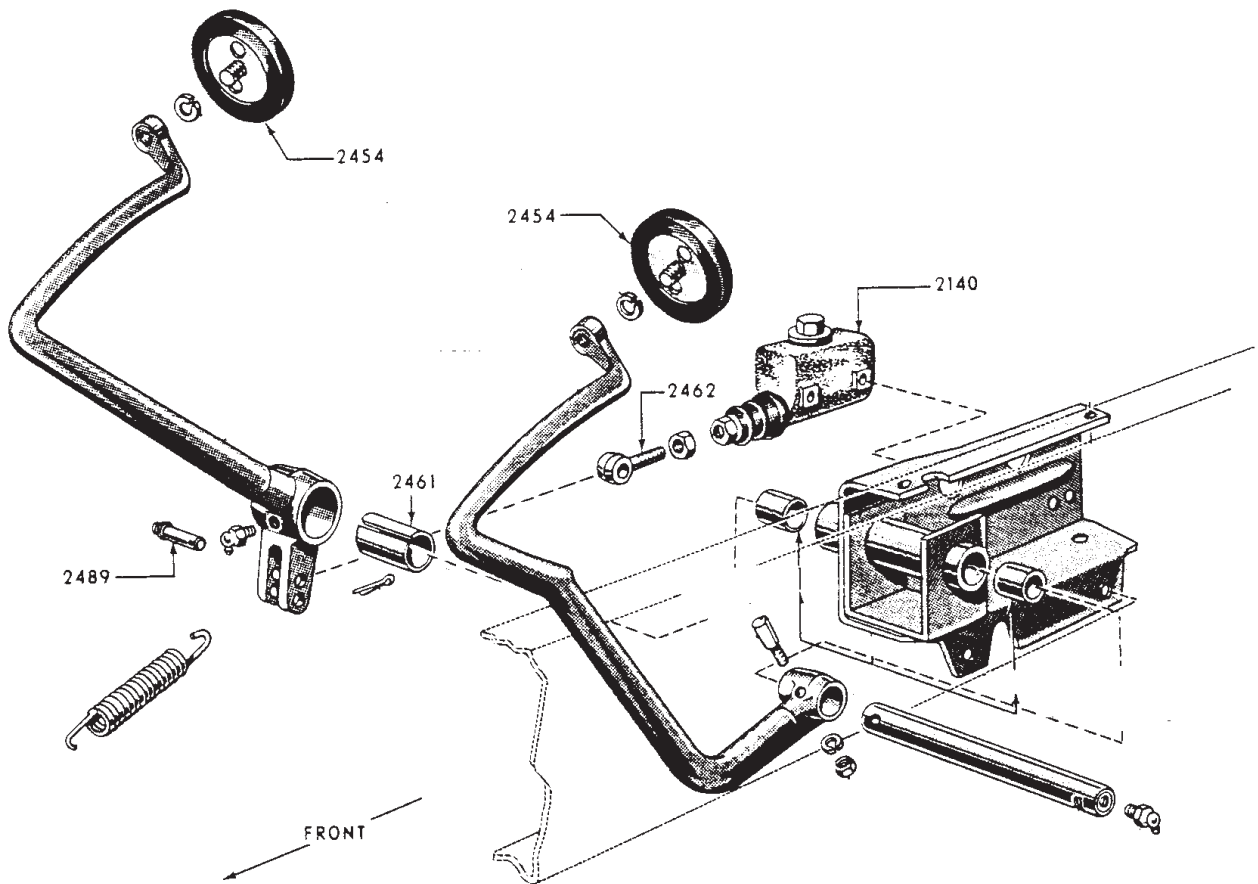
PARKING BRAKE CABLE

8M-2814	Parking Brake Cable Clip - Need 4 per truck - Original Tooling	1953-56
2C-2853	Front Parking Brake Cable & Housing Assembly Handle to underneath pickup - F-1, F100 with a 110" wheel base	1948-52
TAAA-2853	Front Parking Brake Cable and Housing Assembly Handle to underneath pickup - F100	1953-56
B1TZ-2635-A	Rear Parking Brake Cable & Housing Assembly - Same as emergency brake cable - F-1 - One cable per wheel	1948-52
TAAA-2635-A	Rear Parking Brake Cable & Housing Assembly - Same as emergency brake cable - F100, F250 - One cable for both rear wheels	1953-60



CLUTCH BRAKE PEDAL & RELATED PARTS

11A-2454	Clutch & Brake Pedals - 3 1/8" dia. F-1, F-2,F-3, F100, 250, F350	1941-56
01T-2472	Brake Pedal Return Spring	1948-52
TAAA-2472	Brake Pedal Return Spring	1953-56
7C-2473	Clutch & Brake Pedal Arm Bumpers	1948-56
7EQ-5344	Clutch & Brake Pedal Bracket to Shaft Bushing - need 2	1953-56
01T-7506	Clutch & Brake Pedal Shaft	1948-52
TAAA-7506	Clutch & Brake Pedal Shaft	1953-56



CLUTCH/BRAKE PEDAL
ASSEMBLY

Front End Parts

AXLE BUMPERS

11A-3020	Axle Bumper - Rear - 2 Required	1948-54
7RC-3020	Axle Bumper - Front	1948-56



7RC-3020
FRONT AXLE
BUMPER



11A-3020
REAR AXLE BUMPER

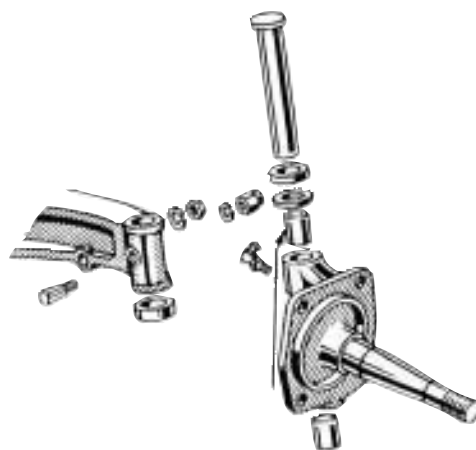
KING PIN BOLT SETS

Spindle Bolt & Bushing Kits (Kit is for both sides)

21A-3111	King Pin Bolt Set - F-1, F-2, F-3	1942-52
B3C-3111-A	King Pin Bolt Set - F100 & F250	1953-56



KING PIN BOLT SET



21A-3111
FRONT AXLE KING PIN BOLT KIT

TIE ROD ENDS

21A-3283	Tie Rod Tube - F-1, F-2, F-3	1948-52
TAAA-3281	Tie Rod Tube - F100 & F250	1953-60
TAAA-3284	Stud & Ball for Left Spindle Replacement - F100-250	1948-56
11A-3270	Tie Rod End - Right Hand Threads - Fits all 1/2 ton & 3/4 ton	1935-64
11A-3271	Tie Rod End - Left Hand Threads - Fits all 1/2 ton & 3/4 ton	1935-64
8M-3332	Tie Rod End Seal	1948-56



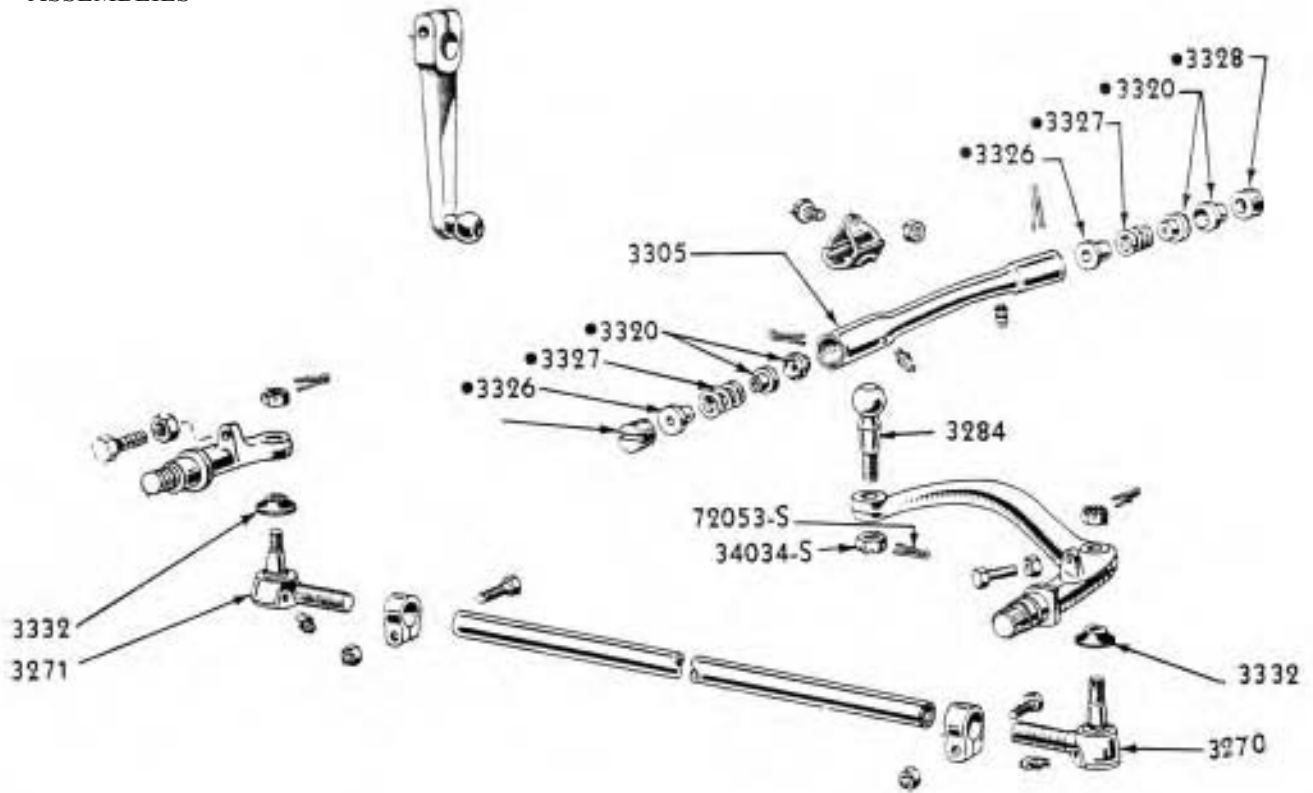
48-3332
TIE ROD END SEAL



DRAG LINKS

TAAA-3304-S	Drag Link - Replacement - with Internal Parts F-1, F-2,F-3, F100, & F250	1948-56
7RC-3328	Drag Link End Adjustment Screw	1948-56
7RC-3336	Rubber Cover for Drag Link - Need Two	1948-56
A8TZ-3A533-A	Drag Link End Repair Kit - two kits needed per drag link Kit Includes: 1-3336, 1-3326, 1-3327, 2-3320, 1-3328 Fits: F-1, F-2, F100, & F250	1948-56

DRAG LINK & TIE ROD ASSEMBLIES



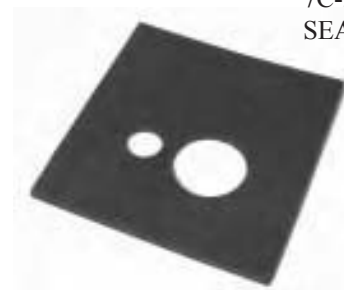
Steering Column Parts

STEERING COLUMN & CLUTCH BRAKE ARM TO FLOOR SEAL

7C-3513	Clutch, Brake & Steering Column to Floor Seal for Column Shift (goes under metal plate at floor)	1948-52
7C-3513-A	Clutch, Brake & Steering Column to Floor Seal for Floor Shift	1948-52
7C-3515	Steering Column to Floor Mat Seal - for column shift (goes on top of mat)	1948-52
7C-3515-A	Steering Column to Floor Mat Seal - for floor shift (has hold down clips)	1948-52
BAAA-3513	Steering Column, Clutch & Brake Arms to Floor Seal for Column Shift (goes under metal plate)	1953-56
BAAA-3513-A	Steering Column, Clutch & Brake Arms to Floor Seal for floor shift	1953-56



BAAA-3515
SEAL



7C-3513
SEAL

STEERING SHAFT & RELATED PARTS

21A-3517	Bushing Steering Column - Upper - F-1 - F-6	1948-56
8M-3520	Upper Steering Column Bearing Spring - F100-600	1949-60
TAAA-3524	Steering Worm and Shaft - F100-350	1953-55
B-3552	Upper Race - F100-F250	1948-60
8A-3553	Lower Race - F100-F250	1948-60
68-3571	Bearing Steering Worm Roller - need 2 - F100 - F250	1948-60
78-3576	Bushing Steering Sector Shaft - need 2 - F-1, F-2, F-3	1948-52
81T-3576	Bushing Steering Sector Shaft - need 2 - F100 - F600	1953-56
B7J-3577-A	Adjusting Screw Sector Shaft Thrust - F-1 - F-6	1948-60
7C-3581	Steering Box Gasket Set - F-1 & F-2	1948-60
8C-3590	Pittman Arm - F-1, F-2	1948-52
TAAA-3590	Pittman Arm - F100 & F250	1953-56
8A-3591	Sector Shaft Seal - F-1, F-2, F-3	1948-52
8M-3591	Sector Shaft Seal - F100, F250, F350	1953-60
21C-3738-A	Steering Shaft Felt Seal (comes in gasket kit #7C-3581)	1948-60
359553-S	Steering Wheel Nut - F100 - F600	1948-62



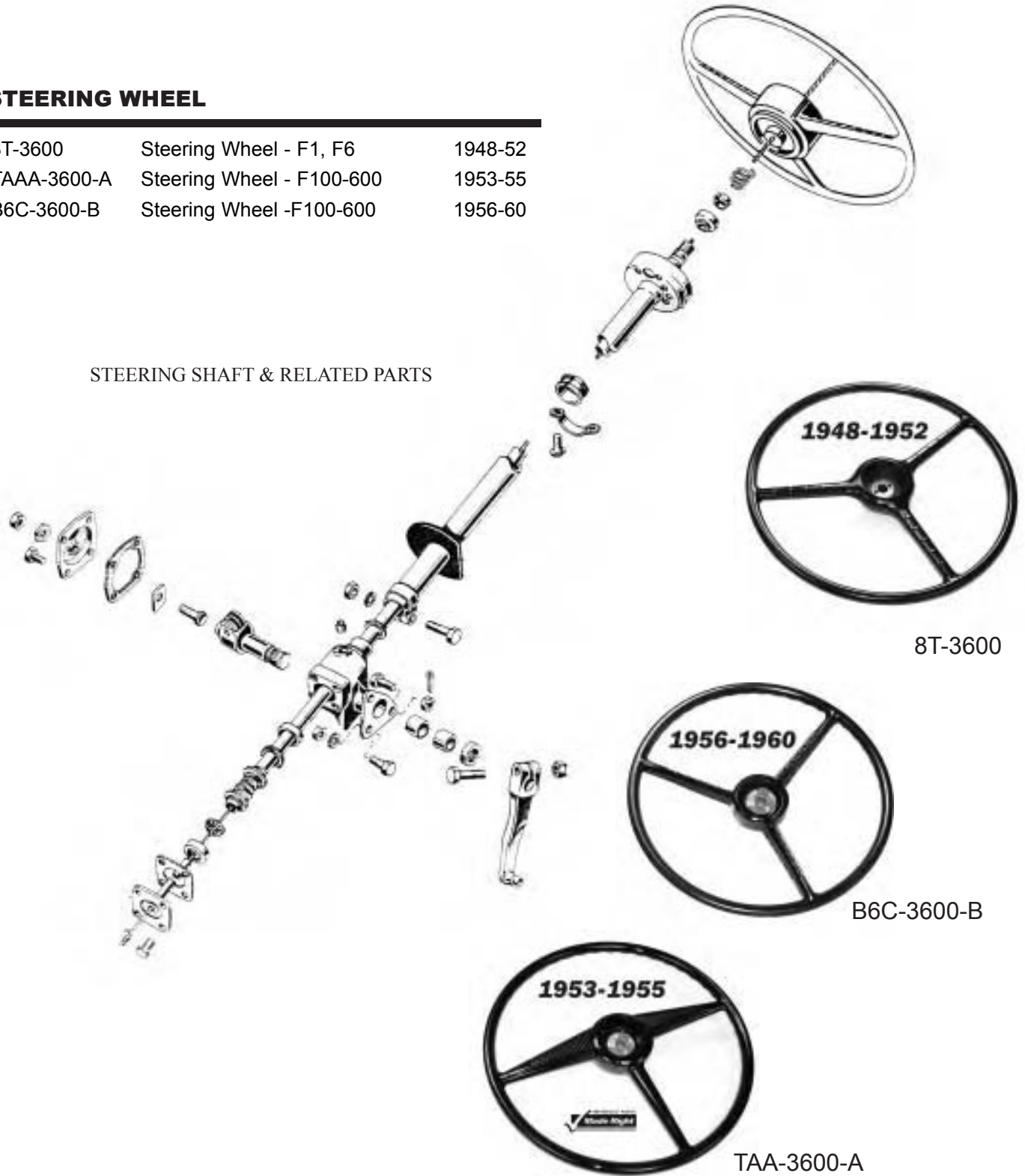
STEERING COLUMN TO BRACKET ANTI-SQUEAK

7C-3679-S	Steering Column Bracket to Dash Anti-Squeak	1948-52
TAAA-3693	Steering Column to Bracket Rubber Anti-Squeak	1953-56

STEERING WHEEL

8T-3600	Steering Wheel - F1, F6	1948-52
TAAA-3600-A	Steering Wheel - F100-600	1953-55
B6C-3600-B	Steering Wheel -F100-600	1956-60

STEERING SHAFT & RELATED PARTS



HORN BUTTON

7HC-3627-C	Horn Button - Black Plastic	1948-52
BAAA-3627	Horn Button - Painted White Original Tooling	1953-60
BAAA-3627-ANV	50th Anniversary Horn Button Plastic Only-Original Tooling	1953
BAAA-3627-A	50th Anniversary Horn Button Original Tooling	1953
B4C-3627-SS	5-Star Cab Horn Button Polished Stainless- Original Tooling	1954-56
BAAA-3627-SS	Horn Button - Polished Stainless Original Tooling	1953-60
B6C-3627-A	Horn Button w/ Red Center Original Tooling	1956
B4C-3627-A	5-Star Cab Horn Button w/ Black Center- Original Tooling	1954-56
A7TZ-13A807-A	Horn button Spring - F100/1100	1948-60



BAAA-3627-SS
HORN BUTTON



BAAA-3627-A
50TH ANNIVERSARY
HORN BUTTON



7HC-3627
HORN BUTTON



B4C-3627-SS
5 STAR CAB HORN BUTTON

HORN RELAY

FAA-13853	Horn Relay	1948-55
B6A-13853	Horn Relay	1956



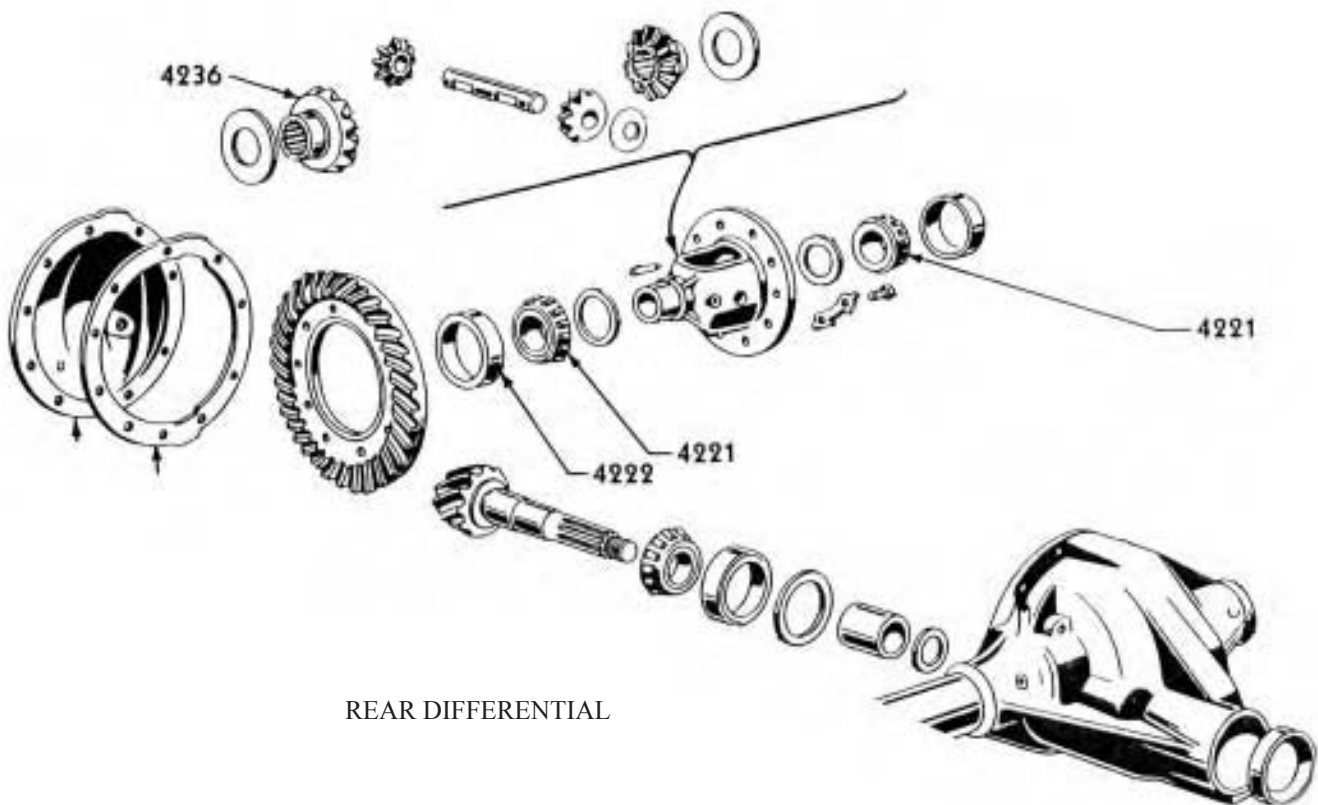
1948 TO 1956 Ford Pickup Catalogue

www.oldcarcentre.com

Rear Axle

REAR AXLE PARTS

8M-4035	Differential Housing Gasket - F-1	1948-50
1M-4035	Differential Housing Gasket - F-1 & F100	1951-56
8M-4209-B	Ring Gear & Pinion Set - 4.27 Ratio - New old Stock	1948-50
8M-4215	Pinion Gear - F-1 & F100	1948-56
8M-4236	Axle Side Gear - F-1 & F100	1948-56
8M-4676	Drive Pinion Seal - F100	1948-56
11A-3020	Axle Bumper - 2 Req'd	1948-54



REAR DIFFERENTIAL

Battery Box Parts

BATTERY CARRIER & RELATED PARTS

B3C-5162-A	Battery Splash Shield - Rubber	1953-56
40-5165	Battery Hold-Down Clamp	1942-52
11A-5175-E	Battery Hold-Down Bolt	1948-52
51A-5165-B	Battery Hold Down Clamp	1948-52
11A-5179-S	Battery Hold-Down Nut & Washer Kit	1948-52
BAAA-8101645-B	Battery Hole Cover Seal	1953-55
B6C-8101645-B	Battery Hole Cover Seal	1956
7RC-10732-C	Battery Tray Assembly	1948-52
TAAA-10732-A	Battery Tray Assembly	1953
B4C-10732-D	Battery Tray - 11 3/4" x 7 1/4"	1954-55
B6C-10732A	Battery Tray Assembly	1956



B6C-10732-A
BATTERY TRAY ASSEMBLY

7RC-10732-C
BATTERY TRAY ASSEMBLY



Exhaust System

EXHAUST CLAMP KIT

7C-5200-S	Exhaust Clamp Kit - 5 pieces	1948-52
-----------	------------------------------	---------

MUFFLERS

7HC-5230	Muffler - F-1 - F-6	1948-53
B7C-5230	Muffler - F100	1954-60

FRONT EXHAUST HEADER PIPES

7RC-5246	Front Exhaust Pipe - V-8 - F-1	1942-52
TAAC-5246	Front Exhaust Pipe - F-100, F-250	1953
TAAE-5246B	Front Exhaust Pipe - F-100	1954-56

TAILPIPES

8C-5255	Tailpipe 8 cyl. - 1/2 ton	1948-52
B5C-5255-A	Tailpipe 8 cyl. - 1/2 ton - short type	1954-60



1948 TO 1956 Ford Pickup Catalogue

www.oldcarcentre.com

CLAMPS & HANGERS (UNIVERSAL)

21C-5270	Header Pipe to Muffler Clamp - All Models	1942-56
21C-5260	Tailpipe Hangar	1942-56

CROSSOVER PIPES

59C-5267	Crossover Pipe - V-8	1942-53
EBU-5267	Crossover Pipe - V-8	1954
B5A-5267	Crossover Pipe - V-8 239, 256, 272, 292 F100-350	1955-64

EXHAUST GASKETS

18-9433	Gasket for Exhaust Manifold to Block - 6 required for Exhaust Manifold to Block - Crossover Pipe - takes 2	1948-53
B5A-9450	Exhaust Manifold to Crossover Pipe Gasket 239,256,272,292	1955-64
1GA-9450	Gasket for Exhaust Manifold to Inlet Pipe - "Y" Block V-8 (without heat riser - 2 required / with heat riser - 3 required)	1954-64

EXHAUST DEFLECTORS

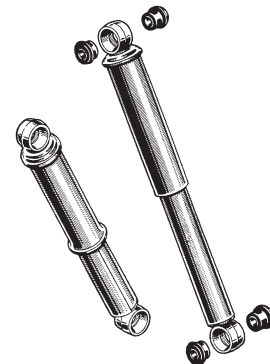
EXHAUST DEFLECTORS

51A-18529-A	Exhaust Deflector - Stainless Steel - Ford Script	All
51A-18529-B	Exhaust Deflector - Stainless Steel - V-8	All
51A-18529	Exhaust Deflector - Stainless Steel - Plain	All



Shock Absorbers

A8C-18124-A	Front Shock Absorber - F-1, F-2, F-3	1948-52
7RC-18125-A	Front Shock Absorber - F-100, F-250, F-300	1953-55
B6C-18124	Front Shock Absorber	1956
7RC-18125-A	Rear Shock Absorber - F-1, F-2, F-3	1948-55
B6C-18125	Rear Shock Absorber	1956
51A-18197	Front & Rear Rubber Bushing - 4 required per shock	1948-56

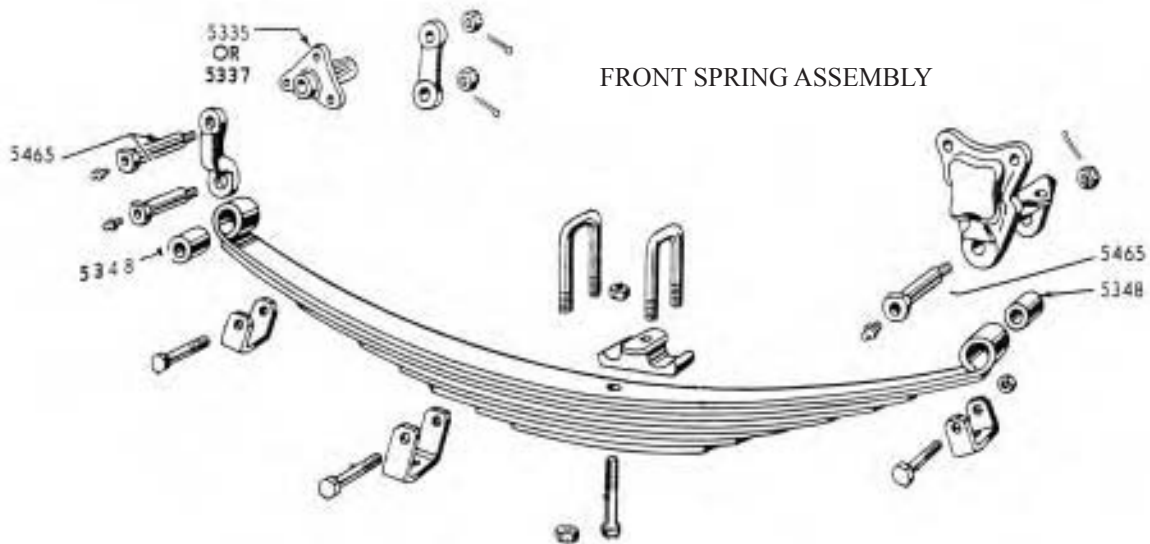


SHOCK ABSORBERS

Front Spring Shackles

FRONT SPRING SHACKLE KITS

7C-5300-S	Front Spring Shackle Kit - for both springs - F-1, F-2, F-3 Includes: (4) 21C-5465 pins; (2) 7RC-5465 pins; (4) 21C-5348 bushings; (4) 7RC-5334 bushings	1948-52
BAAA-5300-S	Front Spring Shackle Kit - for both springs - F100 & F250 Includes: (4) 21C-5348-A bushings; (2) 21C-5344-A bushings (6) 21C-5465 pins	1953-56



FRONT SPRING SHACKLE PARTS

7RC-5334	Front Bracket Bushing - 4 required	1948-52
7RC-5335	Front Hanger - F-1, F-2, F-3	1948-52
TAAA-5335	Front Hanger - F100 & F250	1953-56
7RC-5340	Rear Hanger - F-1, F-2, F-3	1948-52
21C-5344	Front Bracket Bushing - 2 required F100 & F250	1953-56
21C-5348	Spring Shackle Bushing 4 required F-1, -3, F100 & F250	1948-56
B3C-5455	Front Spring U-Bolt - F-1 & F100	1942-56
21C-5465	Stud - Front Spring - 4 required - F-1, F-2, F-3 6 required - F100 & F250	1948-52 1953-56
7RC-5465	Stud - 2 required - F-1, F-2, F-3	1948-52
7RC-5468	Front Spring Shackle Bar - Inner	1948-56
7RC-5469	Front Spring Shackle Bar - Outer - F-1, F-2	1948-52
B5C-5469	Front Spring Shackle Bar - Outer - F100 & F250	1953-56



STUDS & BUSHINGS



Rear Spring Shackles

REAR SPRING SHACKLE KITS

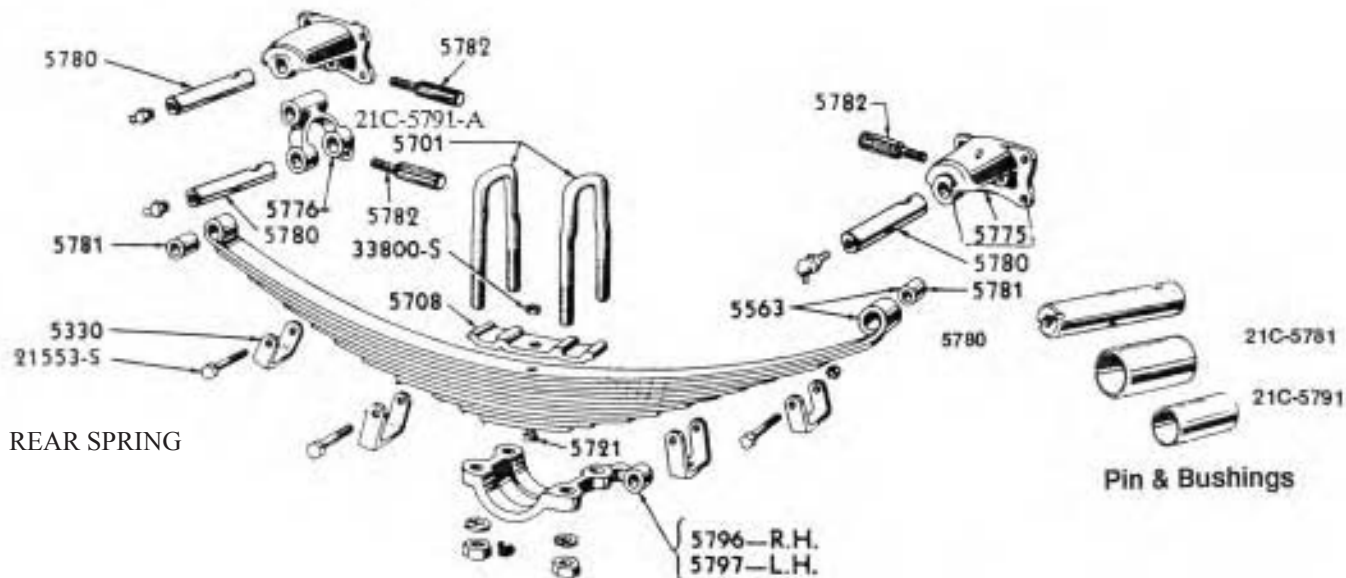
7C-5630	Rear Spring Shackle Kit - for both rear springs Includes: (6) 21C-5780 pins; (6) 82Y-5782 pins (4) 21C-5781-A bushings; (2) 21C-5791-A bushings - fits 1/2 ton pickup	1948-56
---------	---	---------

REAR SPRING SHACKLE PARTS

21C-5701-C	Rear Spring U-bolt - 4 per vehicle	1942-56
21C-5775	Hanger - F-1	1942-52
21C-5776	Swing Hanger - F-1	1942-52
TAAA-5776	Swing Hanger - 1/2 ton - F100	1953-56
21C-5780	Pin - requires 6 - F-1 & F100	1942-56
21C-5781	Bushing Spring - requires 4 F-1 & F100	1942-56
82Y-5782	Lock Pin - F1/3 & F100 - 6 required	1942-56
21C-5791	Bushing Spring Shackle - 1/2 ton need 2 - F-1 F100	1942-56



TAAA-5776-A
SWING HANGER



REAR SPRING

Pin & Bushings

Cab To Frame Mounting Kits

CAB TO FRAME PADS & MOUNTING KITS

7C-5352	Arm Assembly - Cab to Frame complete with bushings - (forged type)	1948-56
7C-5360	Pad at Rear of Cab to Frame Suspension Arm - Rubber	1948-52
BAAA-5360	Pad at Rear of Cab to Frame Suspension Arm - Rubber	1953-56
7C-5370-S	Front of Cab to Frame Pad - Upper - Rubber	1948-52
BAAA-5370-S	Front of Cab to Frame Pad - Upper - Rubber	1953-56
BAAA-5371-S	Front of Cab to Frame Pad - Lower - Rubber	1953-56
7C-5371-S	Front of Cab to Frame Pad - Lower - Rubber	1948-52
7C-5387	Bushing at Rear of Cab to Frame Suspension Arm - set of 4 - Rubber	1948-56
7C-5400-SS	Cab to Frame Pad & Bushing Kit - Includes: (2) 7C-5360; (4) 7C-5387; (4) 7C-5370-S; (4) 7C-5371-S	1948-52
BAAA-5400-S	Cab to Frame Pad & Bushing Kit - Includes: (2) BAAA-5360; (2) BAAA-5370-S; (4) BAAA-5371-S; (4) 7C-5387	1953-56
7C-5404-KIT	Bolts to Mount Cab to Frame	1948-52
BAAA-5404-KIT	Bolts to Mount Cab to Frame	1953-56
BAAA-8102058-PR	Upper Cab Mount Cups on Top of Large Rubber Mount	1953-56
BAAA-8102060-PR	Metal Cup Under Large Cab Mount Rubber	1953-56



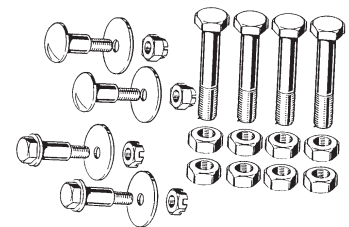
7C-5352
ARM ASSEMBLY



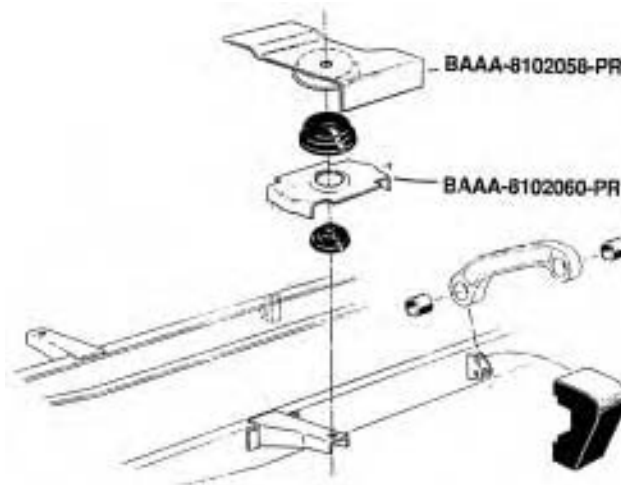
7C-5400-SS



BAAA-5400-S



7C-5404-KIT
BOLTS FOR CAB TO FRAME



Engine Parts

ENGINE GASKETS

8BA-6008	Overhaul Gasket Set - V-8 239	1948-53
B7AZ-6008	Overhaul Gasket Set - V-8 256, 272	1954-64
	Overhaul Gasket Set - V-8 292	1957-64
EAB-6051	Head Gaskets - Right Side - V-8	1948-53
EAB-6083	Head Gaskets - Left Side - V-8	1948-53
8BA-6521	Intake Manifold to Block Gasket - V-8	1948-53
8BA-6781	Oil Pan Gasket Set - V-8	1948-53
DF-64	Oil Filter Decal - V-8	1948-53

FRONT MOTOR MOUNTS

51T-6038	Upper Motor Mount - Rubber- 6 & 8 cylinder - need (2) F-1, F-2, F-3	1948-51
51T-6039	Lower Motor Mount - Rubber - 6 & 8 cylinder - F100 - need 1	1948-51
78-6048-A	Special Washer that the front upper motor mount sits in between mount and frame - need 2 - F-1, F-2, F-3	1948-51
B5S-6038	Upper Motor Mount - 6 & 8 cylinder - F100 - need 1	1953-56
TAAA-6039	Lower Motor Mount - 6 & 8 cylinder - F100 - need 1	1953-56
B-6047	Front Motor Mount Bolt - F-1, F-2 - need 2	1932-51
8L-6038-B	Front Motor Mount - Upper - need 2	1952
8L-6039-B	Front Motor Mount - Lower - need 2	1952
78-6038-A	Metal Washer for Upper motor mount on top - 6 & 8 cylinder	1948-51
B-6038S	Motor Mount Kit for one motor mount - 6 & 8 cylinder Includes One each of 78-6029-A, B-6038-C, 78-6048-A, B-6039-A, & B-6047	1948-51

B-6038-C
MOTOR MOUNT



B-6039
MOTOR MOUNT



CYLINDER HEADS - NEW OLD STOCK

8RT-6049-B	Cylinder Head - Right Side - V-8	NEW OLD STOCK	1948-53
8RT-6050-B	Cylinder Head - Left Side - V-8	NEW OLD STOCK	1948-53

CYLINDER BLOCK SLEEVE

59A-6055	Cylinder Block Sleeve - 3.373 OD x 3.156 ID x 6 1/2" long For 3 3/16" bore - rough finish - used with cylinder blocks without milled depression between valve port and cylinder	1948-53
----------	---	---------

CYLINDER HEAD BOLT

8BA-6065	Cylinder Head Bolt - 20 per Engine 1.94" long - V-8	1948-53
8BA-6066	Cylinder Head Bolt - 28 per Engine 2.62" long - V-8	1948-53

REAR MOTOR MOUNTS

21A-6068	Rear Motor Mounts 6 & 8 cylinder - F-1 - need 1	1942-52
TAAA-6068	Rear Motor Mounts - Upper 6 & 8 cylinder - F-2 & F100 - need 2	1953-60
C0TT-6061-B	Rear Motor Mounts - Lower 6 & 8 cylinder - F-2 & F100 - need 2	1953-60



21A-6068
REAR MOTOR MOUNT

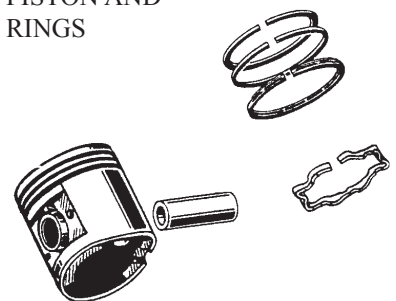
PISTONS - V8 (3 3/16 BORE) SOLD IN SETS OF 8

8BA-6108-STD	Pistons - Standard Size	8 cyl. 239	1948-53
8BA-6108-020	Pistons - .020 O/S	8 cyl. 239	1948-53
8BA-6108-030	Pistons - .030 O/S	8 cyl. 239	1948-53
8BA-6108-040	Pistons - .040 O/S	8 cyl. 239	1948-53
8BA-6108-060	Pistons - .060 O/S	8 cyl. 239	1948-53

PISTON RINGS - V8 SOLD IN SETS ONLY

8BA-6149-STD	Piston Rings - Standard	8 cyl. 239	1948-53
8BA-6149-020	Piston Rings - .020 O/S	8 cyl. 239	1948-53
8BA-6149-030	Piston Rings - .030 O/S	8 cyl. 239	1948-53
8BA-6149-040	Piston Rings - .040 O/S	8 cyl. 239	1948-53
8BA-6149-060	Piston Rings - .060 O/S	8 cyl. 239	1948-53

PISTON AND
RINGS



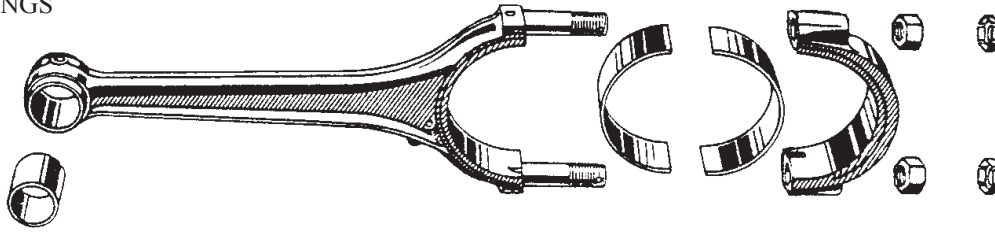
CONNECTING ROD

21A-6207

Bushing Connecting Rod Wrist Pin

1948-52

CONNECTING ROD
BEARINGS

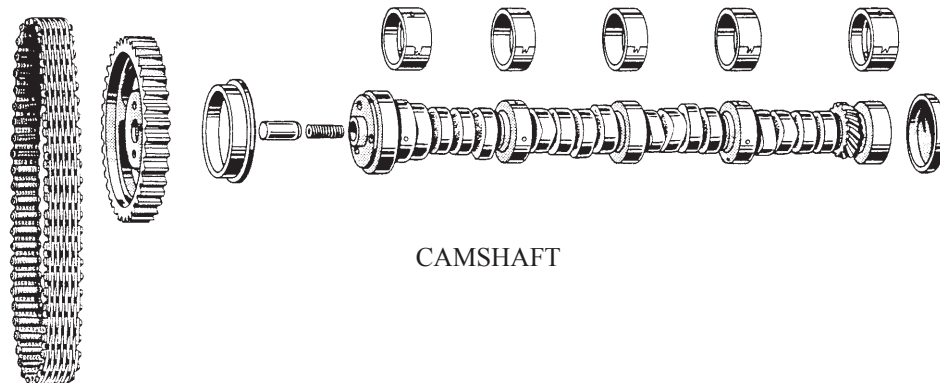


ROD BEARINGS - V-8 (SOLD IN SETS OF 8 PAIR ONLY)

0BA-6211-STD	Rod Bearings - Standard	8 cyl.	1948-53
0BA-6211-010	Rod Bearings - .010 O/S	8 cyl.	1948-53
0BA-6211-020	Rod Bearings - .020 O/S	8 cyl.	1948-53
0BA-6211-030	Rod Bearings - .030 O/S	8 cyl.	1948-53
0BA-6211-040	Rod Bearings - .040 O/S	8 cyl.	1948-53

CAMSHAFT RELATED PARTS

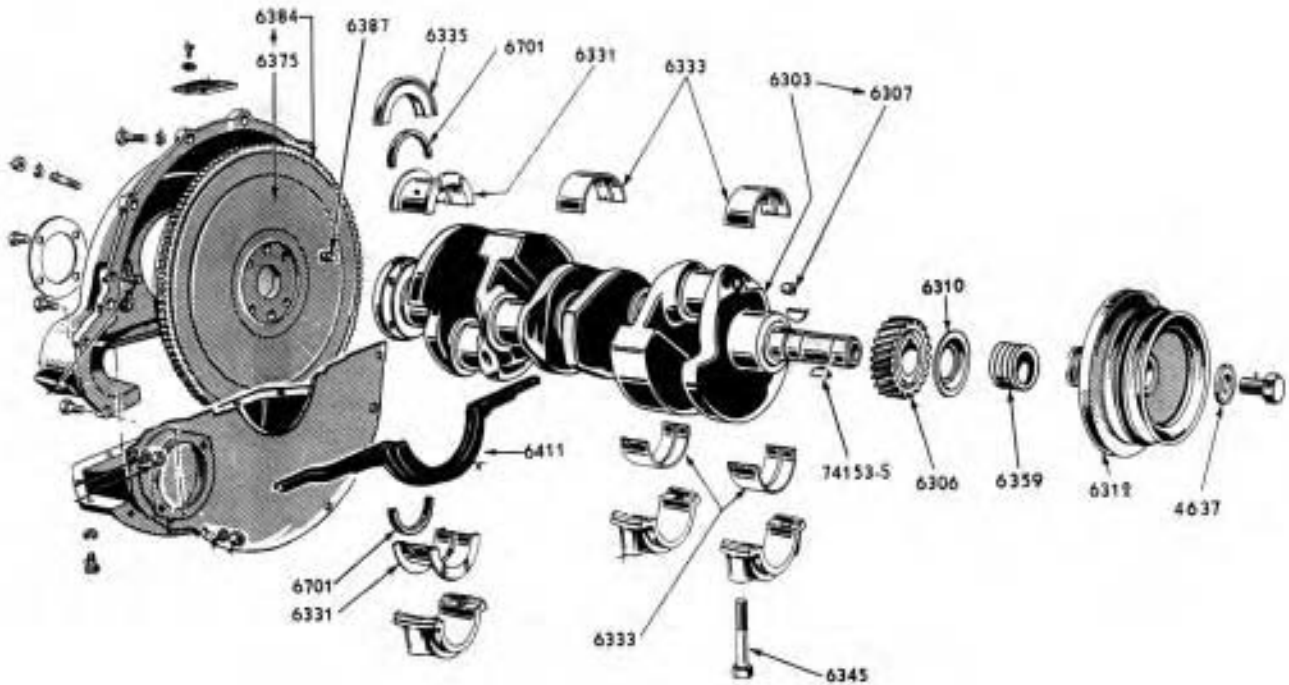
EAB-6252	Camshaft NOS V8	1949-53
7RT-6252	Camshaft NOS V8	1948-53
01A-6260-S	Camshaft Bearing Set - Standard - 8 cyl. 239	1948-53
01A-6260/62B	Camshaft Bearing Set - Oversize	1948-53
8BA-6256-A	Camshaft Timing Gear - Aluminum - 8 cyl. 239	1948-53
8BA-8256-F	Camshaft Timing Gear - Fibre - 8 cyl. 239	1948-53



CAMSHAFT

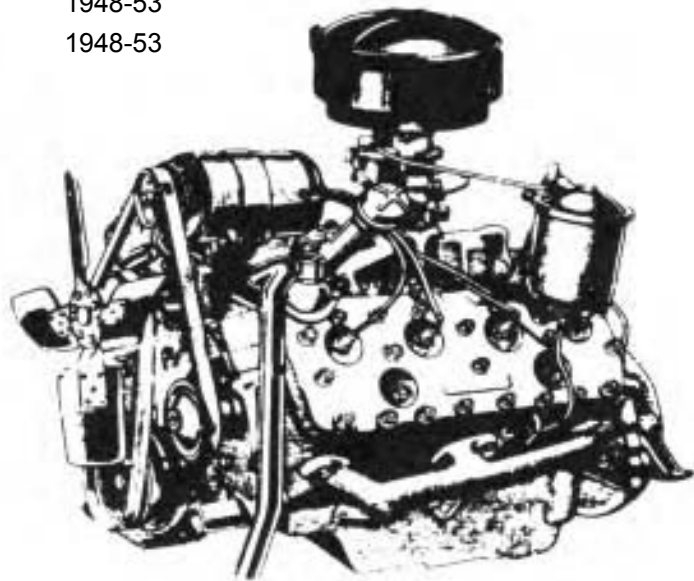
CRANKSHAFT RELATED PARTS

8BA-6306	Crankshaft Timing Gear - V-8	1948-53
8BA-6362	Pulley Extension - V-8	1948-53



MAIN BEARINGS - V8 (SOLD IN SETS ONLY)

1BA-6330-STD	Main Bearings - Standard	1948-83
1BA-6330-010	Main Bearings - .010	1948-53
1BA-6330-020	Main Bearings - .020	1948-53
1BA-6330-030	Main Bearings - .030	1948-53



1948 TO 1956 Ford Pickup Catalogue

www.oldcarcentre.com

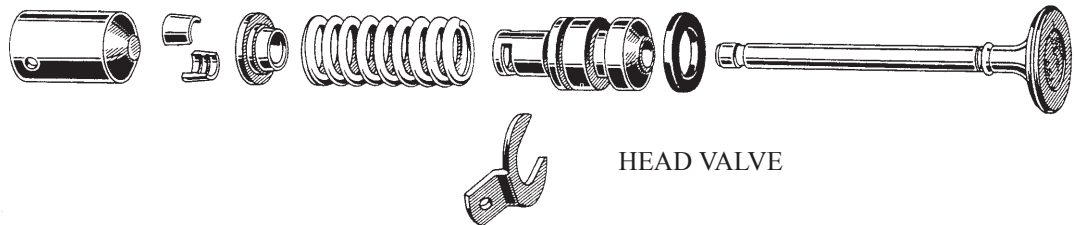
FLYWHEEL RELATED PARTS

8BA-6384	Flywheel Ring Gear - V-8 -112 Teeth	1948-53
8RT-6410-S	Flywheel Housing Cover - Metal V-8	1948-52
8BA-6411	Flywheel Housing Cover Seal - Rubber - V-8	1953

Valve Train Parts

VALVE RELATED PARTS

EAB-6500	Valve Tappet - V-8	1948-53
B8C-6500-A	Valve Tappet -8 cyl. 239, 256, 272, 292	1954-64
91A-6500AJ	Adjustable Valve Tappets Set w/ wrench	1932-53
91A-6500-WRN	Adjustable Valve Tappet Wrench for 91A-6500 tappet	
1BA-6505	Valve Exhaust & Intake - V-8 (use with solid type guide)	1951-53
8BA-6505	Valve Exhaust & Intake - V-8 (use with solid type guide)	1948-53



8BA-6510	Valve Guide - V-8	1948-53
40-6512	Valve Guide Keeper - V-8	1948-53
78-6513	Valve Spring - V-8 (use with 8BA-6505)	1948-50
1BA-6513	Valve Spring V-8 (use with 1BA-6505)	1951-53
8BA-6514	Valve Spring Retainer - V-8	1948-53
7HA-6518	Valve Keeper - V-8 1 pair/valve - 239, 256, 272, 292	1948-64

Oil Pumps

OIL PUMP ASSEMBLIES

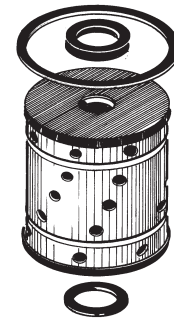
8BA-6621	Oil Pump Assembly - New V-8	1948-53
68-6623	Oil Pump Pickup Tube Screen V-8	1948-64
8RT-6615	Oil Pump Pickup Tube - V-8	1948-53
18-6652	Upper Gear	1932-53
18-6655	Idler Gear	1932-53
18-6657	Idler Gear Bushing	1932-53
8BA-6600RKT	Oil Pump Rebuild Kit (Ford and Mercury)	1948-53
8BA-6663	Relief Valve Plunger	1949-53
52-6730	Oil Pan Drain Plug 1/2" x 20	1940-52
52-6734	Oil Pan Drain Plug Gasket	1940-52
8HA-6730	Oil Pan Drain Plug 7/8" X 16	1948-56
8HA-6734	Oil Pan Drain Plug Gasket	1948-56
41A-9278	Oil Pressure Sending Unit - Replacement On-Off Switch Type	1948-55



OIL PUMP

OIL FILTERS

7HA-6731	Oil Filter - 8 cyl.	1940-53
7HA-6731T	Tall Oil Filter	1940-53
DF-64	Oil Filter Decal - V-8	1948-53



OIL FILTER ELEMENT

OIL BREATHER CAPS

8BA-6766	Oil Breather Cap 8 cyl.	1948-53
----------	-------------------------	---------



8BA-6766
OIL BREATHER CAP

Transmission

OVERDRIVE PARTS

1A-7001694	Overdrive Cable Grommet for Firewall	1951-56
8A-6918-B	Overdrive Kickdown Switch	1949-56
A9AZ-7A650-A	Overdrive Cable w/ Chrome Knob (cut to fit)	1948-56



A9AZ-7A650-A

UNIVERSAL JOINTS

21C-7039	Universal Joint - Front & Rear 1/2 ton	1942-63
01Y-7039	Universal Joint - 3/4 ton & 1 ton	1940-60



1948 TO 1956 Ford Pickup Catalogue

www.oldcarcentre.com

TRANSMISSION MAIN DRIVE GEAR (Input Shaft)

81A-7017	16 Teeth - Use with Caged Roller Bearing (F1 and Mercury)	1948-51
022A-7017	15 Teeth - Use with Caged Roller Bearing (F1 and Mercury)	1948-51
1C-7017	16 Teeth - Use with Loose Roller Needles (F1 and F100)	1950-52
TAAA-7017	w/o Overdrive F100	1953-55

TRANSMISSION BEARINGS - Main Drive Gear Shaft

B-7025	Front Bearing - Main Drive Gear	1940-50
B-7065	Rear Bearing - Main Drive Gear	1940-50
8A-7025	Bearing - Main Drive Gear	1949-59
B5S-7025	Bearing - Main Drive Gear	1955-59

MAINDRIVE RETAINER & SEAL

78-7050	Retainer - F1	1940-52
78-7052	Seal - F1	1940-52

TRANSMISSION - MAINSHAFTS

59C-7061	Mainshaft F1 use with 01A-7100	1948-50
1C-7061	Mainshaft F1 use with 1A-7100	1948-51
TAAA-7061	Mainshaft F100 w/o Overdrive	1953-55
B5C-7061A	Mainshaft F100 w/o Overdrive	1955-60

TRANSMISSION SLIDER GEARS, CLUSTER GEARS, COUNTER SHAFTS

01A-7100	29 Teeth Low & Reverse Slider Gear	1939-50
1A-7100	28 Teeth 1/4" Groove Low & Reverse Slider Gear	1951-54
COTR-7100A	28 Teeth 3/16" Groove Low & Reverse Slider Gear	1955-62
81A-7102	Second Gear - Use with 51A-7113 or 8A-7113 Cluster	1940-50
C1AZ-7102	Second Gear - Use with B4A-7113	1950-54
B7A-7102A	Second Gear - w/o Overdrive	1956-62
B-7111	Countershaft - Use with 51A-7113 Cluster	1940-50
8A-7111	Countershaft - Use with 8A-7113 or B4A-7113 Cluster	1950-54
COAR-7111	Countershaft - w/o Overdrive	1955-62
B7A-7111	Countershaft - with Overdrive	1957-64
51A-7113	Cluster Gear	1938-50
B4A-7113	Cluster Gear	1951-54
C2TZ-7113B	Cluster Gear with 272 V8 & 292 V8 w/o Overdrive	1955-56
A0A-7130	3pc Cluster Gear Washer Set use with 51A-7113, 8A-7113 & B4A-7113	1940-54
8M-7128	Cluster Gear Washer - Thin Plate	1940-54
8M-7129	Cluster Gear Washer - Thick Plate	1940-54
B-7119	Cluster Gear Rear Washer	1940-54
68-7129B	4 Prong Type - use with 68-7113 Cluster	1940-54

TRANSMISSION - SYNCHRO PARTS

8M-7124	Complete Synchro Assembly	1940-60
51A-7109S	Synchro Clip and Spring Set	1940-62
81A-7107	Synchro Brass Rings	1940-62

TRANSMISSION REVERSE IDLER GEARS AND SHAFTS

B-7140	Reverse Idler Gear Shaft - w/o Overdrive	1940-60
68-7141	Reverse Idler Gear - 18 Teeth	1940-50
1A-7141	Reverse Idler Gear - 17 Teeth	1951-54
COAR-7141C	Reverse Idler Gear	1955-62

Transmission - small parts

51A-7199	Small Parts Kits - Includes Washers, Snap Rings, Rollers	1948-50
8A-7199	Small Parts Kits - Includes Washers, Snap Rings, Rollers - use with B4A-7113 Cluster	1950-54
B5A-7199	Small Parts Kits - Includes Washers, Snap Rings, Rollers	1955-62
B5A-7199B	Small Parts Kits - Includes Washers, Snap Rings, Rollers	1959-64?

TRANSMISSION REAR SEAL & GASKET

21C-7052	Transmission Rear Housing Seal - for 3 speed	1948-56
B-7153	Transmission Gasket Set - for 3 speed	1948-52
8A-7153A	Transmission Gasket Set - for 3 speed w/o overdrive	1953-56
8A-1753B	Transmission Gasket Set - for 3 speed with overdrive	1953-56

TRANSMISSION COVER TO FLOOR SEALS

7C-8112125-S	Transmission Cover to Floor Seal Kit - Cork & Rubber - 3 pieces	1948-52
7C-8112130	Top of Transmission to Cover Seal - Floor Shift Only	1948-52



Column Shift Parts

COLUMN SHIFT PARTS

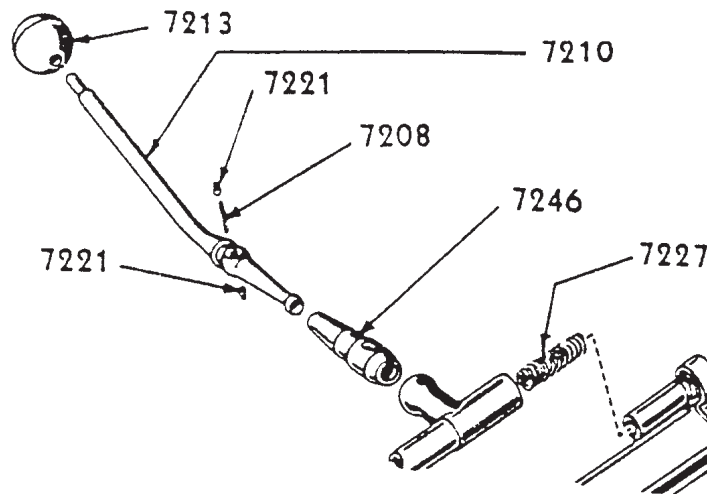
01A-7208	Gear Shift Lever Pin Spring column shift	1948-55
01A-7219	Fulcrum Pin	1940-55
B-7223	Gasket (Floor Shift Cover)	1940-55
01A-7223K	3pc Column Shift Gasket Set	1940-55
B-7227	Spring - Floor Shift Lever	1940-55
01A-7227	Spring - Column Shift	1940-55
01A-7231	Low/Reverse Shifter Fork Column Seal	1940-50
68-7231	Low/Reverse Fork Floor Shift	1940-50
01A-7318	Column Bracket & Cap	1940-50
01A-7319	Lower Bracket	1940-50
01A-7323	Shifter Cover Felt Seal	1940-50
01A-7329	Connector Clevis	1940-50
B-7221	Pin Gear Shift Lever column shift - 2 per truck	1940-55
99A-7242-B	Gear Shift Boot - black	1940-52
01A-7246	Gear Shift Insulator - Rubber For 3 speed standard	1940-72
91C-7213	Gear Shift Knob - Plastic for 3 speed floor shift	1939-52
7C-7213	Gear Shift Knob - Ball Type for column shift	1948-55
B6C-7213	Gear Shift Knob - Sphere Shape for column shift	1956-60
01A-7288	Column Shift Linkage to Transmission Seal	1948-52



91C-7213
GEAR SHIFT KNOB



01A-7354-RK
GEAR SHIFT LEVER
GROMMET REPAIR KIT



COLUMN SHIFT INDICATOR

BAAA-15805	Fordomatic Transmission Shift Indicator - Clear plastic with silver letters	1953-58
------------	--	---------

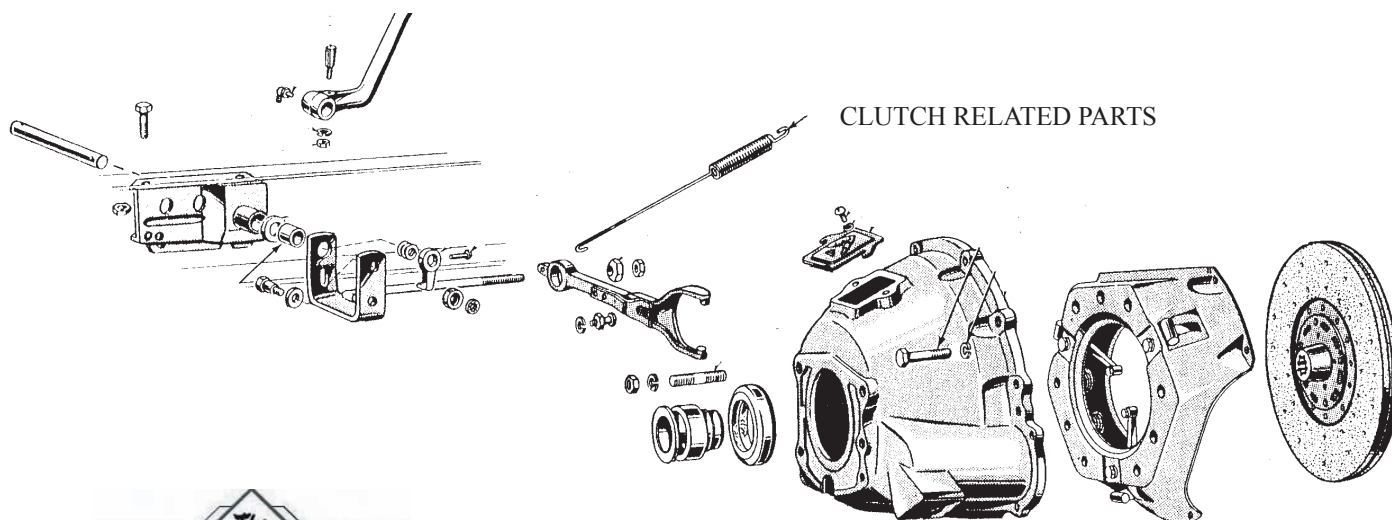


BAAA-15805

Clutch Parts

CLUTCH RELEASE PARTS

01A-7354-RK	Gear Shift Lever Grommet Repair Kit - takes two kits- Column Shift only	1948-56
01T-7506	Clutch Pedal Shaft - F-1, & F-6	1942-52
TAAA-7506	Clutch & Brake Pedal Shaft	1953-56
01Y-7507	Clutch Equalizer Ball Bracket - F-1, F-2, F-3	1948-52
01A-7510	Clutch Release Shaft - F-1 - F-6	1940-52
48-7515	Clutch Release Shaft Fork - F-1, F-2, & F-3	1948-52
TAAA-7515	Clutch Release Fork	1953-56
01A-7517	Clutch Release Equalizer Shaft Bushing - Pairs	1940-52
TAAA-7521-A	Clutch Adjusting Rod	1953-56
TAAA-7522-A	Clutch Release Lever Ball	1953-72
7RT-7523	Clutch Pedal Return Spring	1948-52
TAAA-7523-A	Clutch Pedal Return Spring	1953-56
B-7526	Clutch & Brake Pedal Bushing - F-1 - F-6	1948-52
01A-7539	Clutch Release Arm Shaft "O" Ring	1948-52
01A-7545	Clutch Release Arm Shaft Spring	1948-52
29A-7550	Disc 10" - 1/2 ton & 3/4 ton	1941-56
81T-7550	Disc 11" - 3/4 ton to 2 ton	1935-60
C3TZ-7550G	Clutch Disc 10.5" Diameter	1956-70
51A-7508	Release Shaft Bushing F-1 (Column Shift)	1948-51
48-7508	Release Shaft Bushing F-100	1952
01A-7517	Release Shaft Bushing F-100 (Two Pair Required)	1961-64
B-7580	Clutch Release Throwout Bearing - 1/2 to 3/4 ton	1937-56
B-7600	Pilot Bearing - All models - Ball Bearing	1932-56
70-7600	Pilot Bearing - All models - Bronze	1940-60
8A-7996	Clutch Release Arm to Bell Housing Seal	1948-52
48-7561	Clutch Release Throwout Bearing Hub	1932-52
TAAA-7561	Clutch Release Throwout Bearing Hub	1953-56



1948 TO 1956 Ford Pickup Catalogue

www.oldcarcentre.com

Cooling System

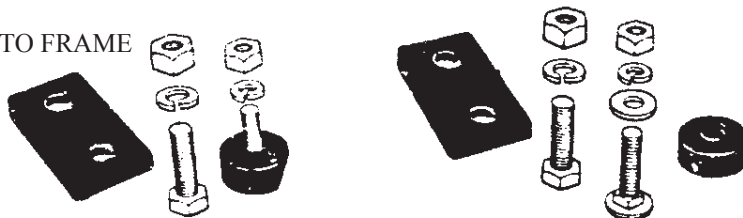
RADIATOR CAPS

78-8100-B	Radiator Cap - 4 lbs. pressure - all models	1938-51
B2TZ-8100-A	Radiator Cap - 4 lbs. pressure - all models	1952-56
B2TZ-8100-B	Radiator Cap - 7 lbs. pressure - all models	1952-56
7RC-8115	Cylinder Block Drain Cock	1948-53
8A-8115	Radiator Draincock - 1/4" pipe thread with tubing extension	1948-53
8CM-8115-A	Radiator Draincock - 1/4" pipe thread with right angle outlet	1948-72

RADIATOR RELATED PARTS

8C-8124-A	Radiator Support to Frame Pad	1948-52
BAAA-8125-S	Radiator Support to Frame Pad Kit kit includes: 2 center pads, 2 outer support pads, bolts, nuts, lock washers	1953-55
B6C-8125-S	Radiator Support to Frame Pad Kit - Includes: 2 center pads, 2 outer support pads, bolts, nuts, lock washers	1956

BAAA-8125-S
RADIATOR SUPPORT TO FRAME
KIT



B6C-8125-S
RADIATOR
SUPPORT TO
FRAME KIT

RADIATOR SUPPORT

B3C-16138-B	Radiator Support Assy. - Import - F100-700	1953-56
-------------	--	---------



RADIATOR GRILLE PARTS

7C-8188	Lower Grille Panel	1948-50
B3C-8188-A	Lower Radiator Grille Panel - Steel	1953
B4C-8188-A	Lower Radiator Grille Panel - Steel	1954
B6C-8188-A	Lower Radiator Grille Panel - Steel	1955-56
7C-8200-GBK	Grille Trim Polished Stainless Kit Includes: 1 of 7C-8332, 3 of 7C-8334 & 1 of 7C-8345	1948-50
B6C-8200-B	Chrome Front Grille	1956



7C-8200-GBK

B6C-8200-B



B5C-8188-A
VALANCE PANEL
BELOW GRILLE

RADIATOR SEALS

7C-8348-A	Lower Radiator Grille Splash Pan to Radiator Seal - 29"	1948-52
B3T-8348-A	Lower Radiator Grille Splash Pan to Radiator Seal - 23 1/2"	1953-56
B3T-8349	Air Deflector to Top of Radiator Seal - 27 1/4"	1953-56



B3T-8348-A
RADIATOR SEAL

RADIATOR GRILLE PARTS

B6C-8310	RH Grille Air Deflector	1956 Will Fit 1953-55
B6C-8311	LH Grille Air Deflector	1956 Will fit 1953-55



B6C-8311
RADIATOR AIR
DEFLECTOR PANEL
LEFT SIDE



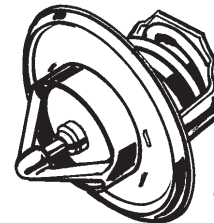
B6C-8310
RADIATOR AIR
DEFLECTOR PANEL
RIGHT SIDE

THERMOSTAT GASKETS & HOUSING

8BA-8255	Thermostat Housing Gasket V-8	1948-53
B5A-8255	Thermostat Housing Gasket V-8	1954-60
1BA-8592	Thermostat Housing - V-8	1948-53
B5C-8592-C	Thermostat Housing - V-8	1954-64

THERMOSTATS

1BA-8575-A	Thermostat - V-8 160 degrees	1948-53
1BA-8575-B	Thermostat - V-8 180 degrees	1948-53
1BA-8575-C	Thermostat - V-8 195 degrees	1948-53



1BA-8575
THERMOSTAT

RADIATOR HOSE CLAMPS

8RT-8290	Upper Radiator Hose Pipe - V-8 F-1 - F-6	1948-52
8BA-8287	Upper Hose Clamp - 8 cyl. 1 5/8" O.D.	1948-53
AB-8287	Upper Hose Clamp - 239, 272, 292 - 8 cyl. - 1 7/8" O.D.	1954-64
B-8287	Lower Hose Clamp - 8 cyl. - 2 1/8" O.D.	1948-56



8RT-8290
UPPER RADIATOR HOSE
PIPE



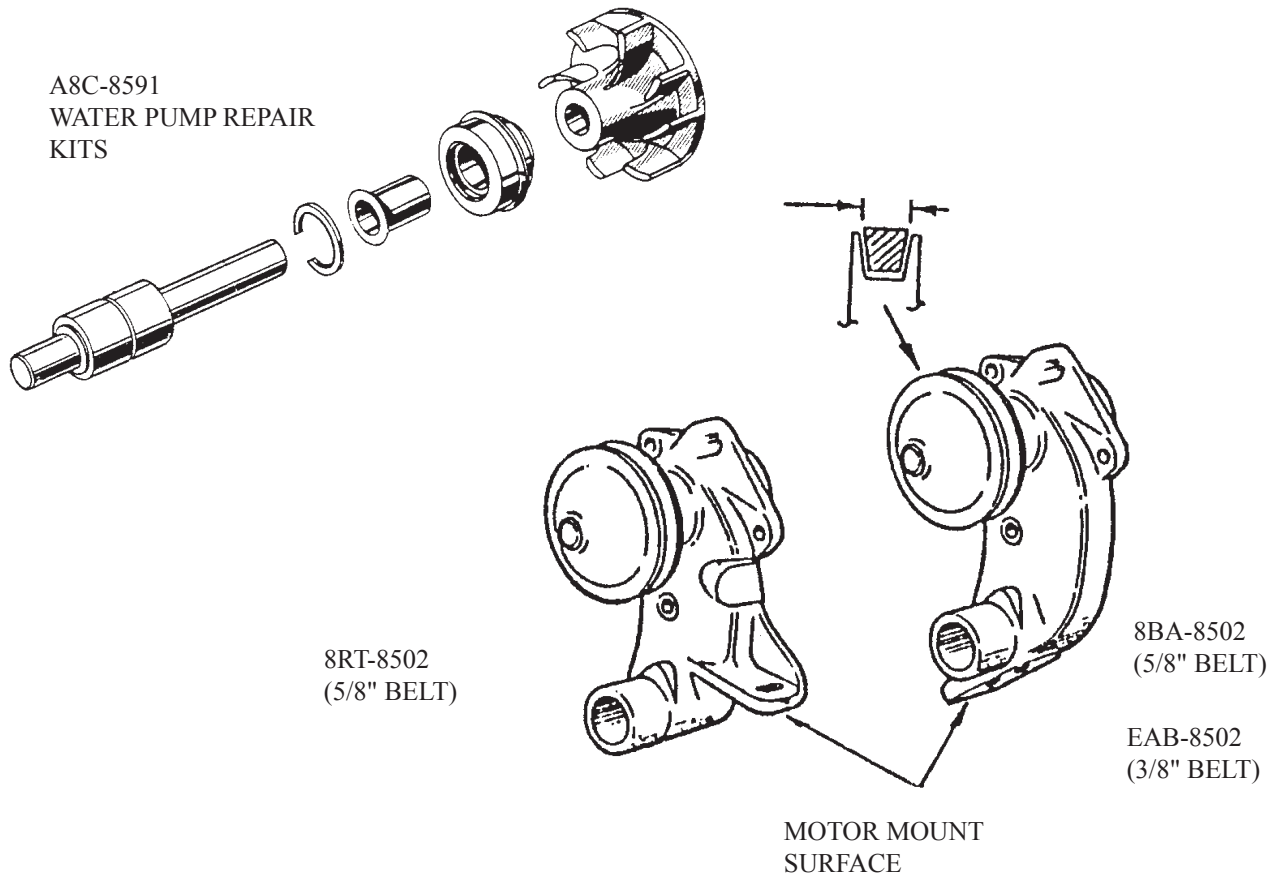
NEW WATER PUMPS

8RT-8501	Water Pump - Right - New V-8 239 w/ gasket	1948-52
8RT-8502	Water Pump - Left - New V-8 239 w/ gasket	1948-52
EAB-8501-PR	Water Pumps - Narrow Belts (sold in pairs) - New - V-8	1953

WHEN ORDERING WATER PUMP, INDICATE WIDTH OF BELT AT TOP (3/8" OR 5/8")
OR WIDTH OF PULLEY AT TOP

WATER PUMP REBUILD KIT

A8C-8591	Water Pump Repair kit - V-8	1948-53
8BA-8507	Water Pump Gasket - V-8	1948-53



FAN BELTS

21A-8577	Fan Belt Only - Wide Type - V-8	1948-52
8BA-8577	Fan & Water Pump Belt - Narrow Type - V-8	1953
7RA-8620	Generator & Water Pump Belt - Wide Type - V-8	1948-52
8BA-8620	Generator & Water Pump Belt - Narrow Type - V-8	1953
EAT-8577-A	Fan Belt - V-8	1954-55

Emblems - Grill

GRILL EMBLEMS - V-8

1RC-8259-A	Grille V-8 Emblem	1951
2C-16608-A	Grille V-8 Emblem	1952
BAAA-8259-A	Grille V-8 Emblem	1953
B4C-8259	Grille V-8 Emblem	1954
B5C-8259	Grille V-8 Emblem	1955
B6C-8259-A	Grille V-8 Emblem	1956



1RC-8259-A
V-8 EMBLEM

Official Licensed Product
Ford Motor Company



2C-16608-A
V-8 EMBLEM

Official Licensed Product
Ford Motor Company

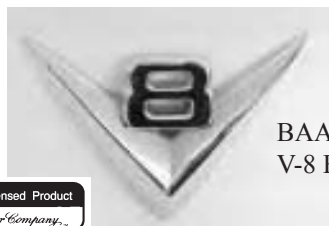


B5C-8259
V-8 EMBLEM

Official Licensed Product
Ford Motor Company

GRILL EMBLEMS - 6 CYLINDER

BAAA-8259-S	Radiator Grille 3 Point Star	1953
B4C-8259-S	Radiator Grille 4 Point Star	1954
B5C-8259-S	Radiator Grille 4 Point Star	1955



BAAA-8259-A
V-8 EMBLEM

Official Licensed Product
Ford Motor Company



B4C-8259-S

B5C-8259-S

BAAA-8259-S

GRILL EMBLEMS

BAAA-8164-SET	Grille Teeth for Custom Cab - Die Cast Zinc, Chrome-Plated with template - set of 6 - sold in sets only	1953
B4C-8251-PR	Grille Hash Marks - Die Cast Zinc, Chrome Plated with Template for Custom Cabs	1954
7C-8315-S	Radiator Grille Panel Letters - F O R D	1948-50 & 52
B5C-8419-PR	Grille Moulding (Gull Wings) F100-800	1955



7C-8315-S
FORD LETTERS



BAAA-8164-SET



B5C-8419-PR

B4C-8251-PR



1948 TO 1956 Ford Pickup Catalogue

www.oldcarcentre.com

Fuel System



GAS TANK

9643	Polyethylene Tank	1953-55
F-100G	Stamped Steel - Stock Capacity - Accepts Stock and Aftermarket Senders	1953-55

GAS TANK CAPS

11C-9030-A	Stainless Steel Cap	1932-50
48-18416	Locking Gas Tank Cap - with Keys - Ford Script	1932-50
01A-18416-B	Locking Gas Cap with keys	1940-50
01A-18416-A	Locking Gas Tank Cap with keys	1951-70
8A-9030-SS	Stainless Steel Cap - Vented	1951-70



01A-18416



11C-9030-A

GAS TANK NECK GROMMETS

7C-9080-A	Gas Tank Neck Grommet	1948-52
7C-9080-P	Gas Tank Neck Grommet - Panel Only	1948-52
BAAA-9080-A	Gas Tank Neck Grommet - Panel Only	1953-56
BAAA-9080-B	Gas Tank Neck Grommet - Pickup only	1953-55
B6C-9080	Gas Tank Neck Grommet Exactly as original	1956
C1TZ-9080-A	Gas Tank Neck Grommet Not exactly as original	1956



7C-9080-A
GAS TANK NECK
GROMMET



BAAA-9080-B
GAS TANK NECK
GROMMET



C1TZ-9080-A
GAS TANK NECK
GROMMET

B6C-9080
GAS TANK NECK
GROMMET

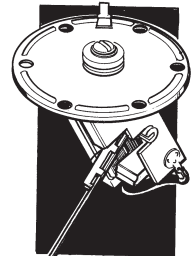


GAS TANK CONNECTING HOSE

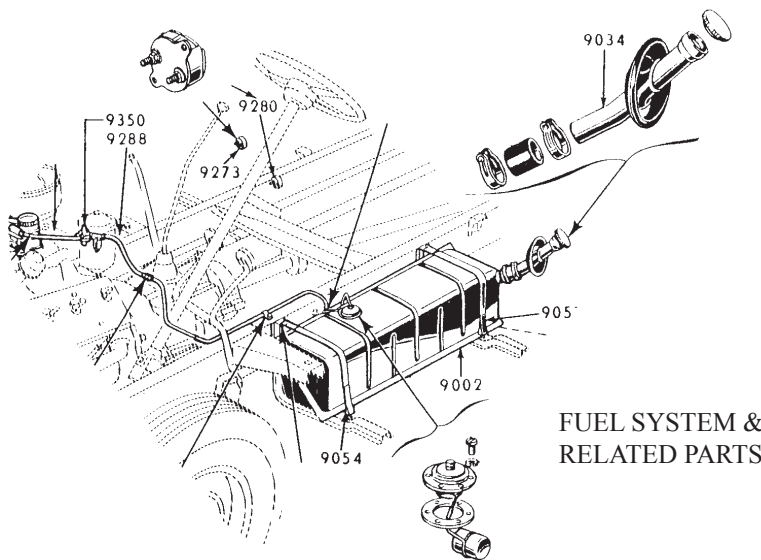
11A-9047-A	Gas Tank Connection Hose (for neck) 2.18" I.D.	1942-55
78-9047	Gas Tank Connection Hose (for neck) F-100, F-600 - 1.8" I.D.	1956-72
B-8287	Clamp for Above Hose - need 2	1956
11A-8287	Clamp for Above Hose - need 2	1942-55

GAS TANK SENDING UNIT

68-9275-F	Gas Tank Float - Brass	1948-60
01A-9275	Gas Tank Sending Unit with Float & Gasket - 6 Volt	1948-55
01A-9275-12V	Gas Tank Sending Unit - 12 Volt	1948-55
68-9276	Gas Tank Sending Unit to Tank Gasket	1948-56



01A-9275
FUEL TANK
SENDING UNIT



FUEL SYSTEM &
RELATED PARTS

GAS TANK RELATED PARTS

M-600	Gas Tank Slushing Compound (eliminates rust & seals small leaks)	
21C-9299	Gas Tank Outlet to Floor Pads Anti Squeak	1948-52
7C-9136-A	Fuel Tank Outlet to Floor Seal	1948-52
48-17265	Grommet for where gas line goes through floor pan	1956
01A-16188	Gas Tank to Floor Bumpers - Set of 4	1948-52



OIL PRESSURE SENDING UNIT

41A-9278	Oil Pressure Sending Unit - Replacement - On/Off Switch Type	1940-53
B6A-9278	Oil Pressure Sending Unit with Warning Lights - 12 volt	1954-66

FUEL LINES

7HC-9288	Flexible Fuel Line - 6 & 8 cylinder - All	1948-50
1A-9288	Flexible Fuel Line - 6 & 8 cylinder - All	1951-53
B3TZ-9288-A	Flexible Fuel Line - 8 cylinder	1954
B5C-9288-A	Flexible Fuel Line - 8 cylinder	1955-56

FUEL PUMPS

7RA-9350-A	Fuel Pump - NEW - V-8	1948-50
1BA-9350	Fuel Pump - NEW - V-8	1951-53
6523-9350	Fuel Pump - NEW - V-8	1955-60
59A-9364	Fuel Pump Filter Bowl to Pump Gasket	1948-52
7RA-9417	Fuel Pump to Stand Gasket	1948-53
EAB-9400	Fuel Pump Push Rod - V-8	1948-53
8BA-6025	Fuel Pump Push Rod Bushing - V-8	1948-53
8BA-9416	Fuel Pump Stand - V-8	1948-53
68-9398-A	Fuel Pump Diaphragm & Bowl Gasket	1948-52
B1A-9349-B	Fuel & Vacuum Pump Repair Kit - 8 cylinder	1945-54

ELECTRIC FUEL PUMPS

EFP-9350A	Electric Fuel Pump - 6 volt	1940-55
-----------	-----------------------------	---------

CARBURETOR REPAIR KITS

59A-9590	Carburetor Repair Kit - V-8 - Holley or Ford	1937-57
67-9590	Stromberg	1937-57
B2A-9800	Carburetor Dash Pot	1953-56

CHOKE & THROTTLE

7C-9700-U	Choke & Throttle Cable with NO Knob - Universal	1948-Up
-----------	---	---------

Accelerator Parts

ACCELERATOR PARTS

7C-8112177	Accelerator Pedal Rod to Floor Seal	1948-52
TAAA-9735	Accelerator Pedal	1948-56
TAAA-9725-C	Accelerator Linkage Swivel Fits: 1953-56 Standard Transmission 6 cylinder Fits: 1954-56 Standard Transmission V-8 for any engine Installation with left side of carburetor linkage	1953-56

7C-8112177
ACCELERATOR PEDAL
ROD TO FLOOR SEAL



TAAA-9735
ACCELERATOR PEDAL



Generator Parts

CC-101	Generator Metal Tag - FAA-10001-C	1948-53
CC-102	Generator Metal Tag - FAT-10000-A	1954-55
01A-10043	Generator Brush Set	1940-56
91A-10057	Generator Bush Spring	1940-56
C1AZ-10069-A	Generator Brush Set .90"high x .93"wide x .29"thick	1956-64
B-7600	Generator Front Bearing	1940-64
78-10128	Generator Bushing - Rear	1938-55



CC-101



CC-102

VOLTAGE REGULATORS

51A-10505	Voltage Regulator - 6 volts	1940-55
C3TZ-10505	Voltage Regulator - 12 volts - 30 amp	1956-64
B6A-10505-00	Voltage Regulator - Original Ford - 12 volt	1956-64
CC-104	Voltage Regulator Metal Tag - FAC-10505-AI - Original Tooling	1948-53
91A-10610	Regulator to Firewall Grommet Set of 3	1940-53



VOLTAGE REDUCER

R-10800 Runtz Dash Gauge Voltage Reducer - 12 volt to 6 volt 1948-55

TEMPERATURE SENDER & RELATED PARTS

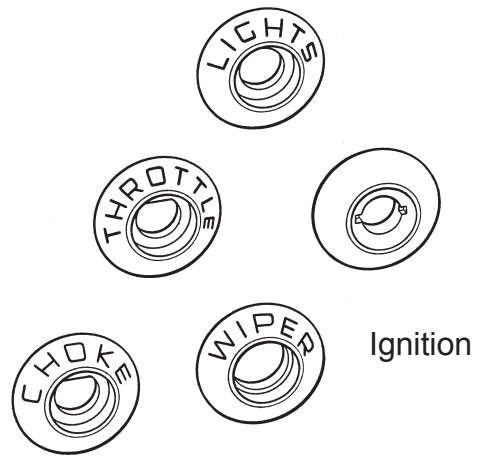
8A-10884 Temperature Sender for Motor Block - Single Terminal - V-8 1940-55
 8A-10990 Temperature Sender for Motor Block - Double Terminal - V-8 1940-53
 B6C-10884 12 Volt Temp Sender Unit 1956

Dash Parts

DASH BEZELS

BAAA-10852-IG Dash Bezel - Ignition 1953-56
 BAAA-10852-C Dash Bezel - Choke 1953-56
 BAAA-10852-T Dash Bezel - Throttle 1953-56
 BAAA-10852-W Dash Bezel - Wiper 1953-56
 BAAA-10852-L Dash Bezel - Lights 1953-56

**ALL ITEMS ARE PRESSURE DIE CAST,
 TRIPLE CHROME PLATED**



INSTRUMENT CLUSTER BEZEL - ALUMINUM

B3C-10876 Instrument Cluster Bezel - Round Guages 1953-55
 B6C-10876 Instrument Cluster Bezel - w/o Holes 1956



B3C-10876
 INSTRUMENT CLUSTER BEZEL



B6C-10876
 INSTRUMENT CLUSTER BEZEL

Speedometer Hole - 3 1/8" dia.
 Instrument Holes - 2 1/8" dia.

Ignition Switches & Keys

IGNITION SWITCHES

OL-11572	Ignition Switch Housing Assembly	1951-55
B5A-11572-A	Ignition Switch Housing Assembly	1956-60
B9A-11582	Ignition Cylinder Assembly & Keys	1953-60
BAAA-7022050-S	One Ignition Cylinder Assembly & Two Door Lock Cylinders with 2 keys - All keyed alike	1953-60
1A-3685-A	Ignition Key Blank - Exactly as Original	1948-52
BA-3685-A	Ignition Key Blank - Exactly as Original	1953-64
B7C-11597-A	Ignition Switch to Dash Spacer or Mounting Plate	1956-60



1A-3685-A
BA-3685A

IGNITION KEY BLANKS

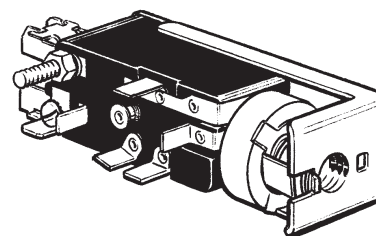
Headlight Wiring & Switches

HEADLIGHT WIRING / SWITCHES / NUTS

7HC-11653	Headlight Crossover Wire	1948-50
1C-11653	Headlight Crossover Wire	1951-52
B4C-11653-A	Headlight Crossover Wire with Turn Signal & Horn Wire - 6 & 8 cyl.	1953-55
B4C-11653-B	Headlight Crossover Wire w/o Turnsignals	1953-55
B6C-11653-A	Headlight Crossover Wire	1956
11A-11652	Headlight Switch - 6 volts - no knob	1948-50
FAA-11654	Headlight Switch - 6 volts - no knob	1951-54
B5T-11654	Headlight Switch - 6 volts - no knob	1955
B7A-11654	Headlight Switch - 12 volts - no knob	1956-57
FAB-11662-A	Light Switch to Instrument Panel Nut	1953-54
C2TZ-11650-A	Light Switch to Instrument Panel Nut	1955-62

NOTE: Headlight switches do not have knobs.

HEADLIGHT SWITCH



B7A-11654

Distributor

SPARK PLUG WIRES

B5A-12259	Spark Plug Wires Set with Weatherproof Ends. V-8 - 239, 272, 292, 312	1954-64
8BA-12259	Spark Plug Wires - Original - V-8	1948-53
D1AZ-12259-F	Spark Plug Wires - V-8 - 272, 292, 312, 239 - graphic core	1954-64
FAA-12297-K	Spark Plug Wire Mounting Grommets - Rubber Set of four pieces - 239, 272, 292, 312	1954-64
FAA-12111-2K	Spark Plug Wire Mounting Bracket Kit Fits: 239, 272, 292, 312	1954-64

SPARK PLUG WIRES



8BA-12259
1949-53 V-8

SPARK PLUGS

7RA-12405	Spark Plug - Champion H10C - 6 & 8 cylinder	1940-53
B7A-12405-A	Spark Plug - 18 MM 6 & 8 cylinder	1954-60



7RA-12405



B7A-12405-A

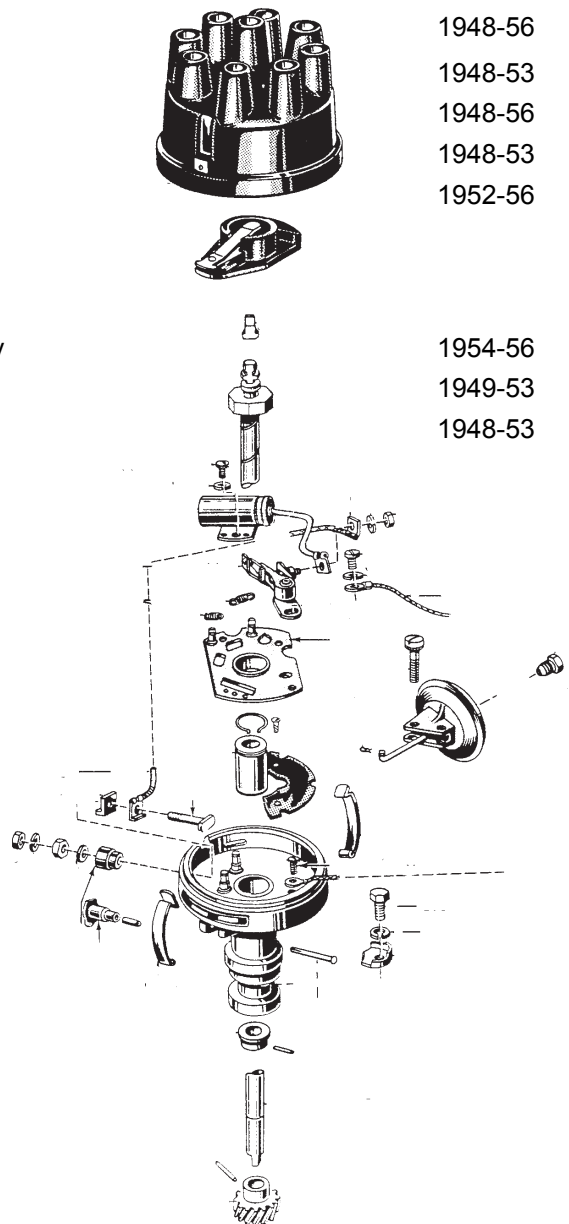


1948 TO 1956 Ford Pickup Catalogue

www.oldcarcentre.com

IGNITION PARTS

7RA-12171SET	Ignition Tune-Up Kit - Includes: Points, Condenser, Rotor - 8 cylinder	1948-53
FAB-12171SET	Ignition Tune-Up Kit - Includes: Points, Condenser, Rotor - 8 cylinder	1954-55
8BA-12029	Coil - C-809 - 6 volts	1948-55
B6A-12029	Coil - C-819 - 12 volts - Fits all EXCEPT transistorized ignition systems	1956-72
7RA-12171	Points - 8 cylinder	1948-53
FAB-12106	Distributor Cap - 8 cylinder	1948-56
7RA-12144	Distributor to Cap Hold Down Clamp - 8 cylinder - 2 per distributor	1948-56
FAB-12171	Points - 8 cylinder	1954-56
FAA-12200	Rotor - 8 cylinder	1948-56
C0DF-12216-A	Distributor Primary Lead - 8 cylinder	1948-60
B6A-12250-C	Ignition Coil Resistor - 8 cylinder	1956-57
7RA-12264	Distributor Ground Lead - 8 cylinder	1948-56
7RA-12300	Condenser - Autolite - 8 cylinder	1948-53
FAB-12300	Condenser - Replacement - 8 cylinder	1948-56
7RA-12370	Distributor Vacuum Advance - 8 cylinder	1948-53
FAB-12370	Distributor Vacuum Advance - 8 cyl. 239 & 272 with 2 barrel carburetor 1954-56 - B-C-F100/900- F100/600 8 cyl. 279, 317, 302, 332 with 2 barrel carb	1952-56
FAE-12390	Distributor Drive Gear - 14 teeth - V8's Only	1954-56
CC-105	Distributor Tag for Aluminum Distributor	1949-53
CC-106	Distributor Tag for Cast Distributor	1948-53



Headlights

HEADLIGHT PARTS

01A-13015-SS	Headlight Bulb Retainer Ring - Stainless Steel	1940-56
11A-13044	Headlight Bucket to Fender Gasket	1942-56
B5CZ-13045-A	Headlight Door - Chrome	1948-55
B6C-13045	Headlight Door - Chrome	1956
11A--13076	Headlight Bucket Wiring -	1942-55
52388	Headlight Door Screws	1951-56
51A-13077	Headlight Bucket Wiring Grommet	1946-56
8C-13078-C	Headlight Wire Grommet on Left Side of Radiator	1948-52
11A-13031	Headlight Bucket Spring (Takes two per headlight)	1948-56



01A-13015-SS



B6C-13045

Parklights

PARKING LIGHT ASSEMBLIES

7RC-13200	Complete Parking Light Assembly - Stainless Door	1948-50
1C-13200-A	Complete Parking Light Assembly - Painted Door	1951-52
1C-13200-SS	Complete Parking Light Assembly - Stainless Door	1951-52
FAD-13200-A	Complete Parking Light Assembly - Painted Door	1953-54
FAD-13200-SS	Complete Parking Light Assembly - Stainless Door	1953-54
B5C-13200-A	Complete Parking Light Assembly - Painted Door	1955
B5C-13200-SS	Complete Parking Light Assembly - Stainless Door	1955
B6C-13200-A	Complete Parking Light Assembly - Painted Door	1956
B6C-13200-SS	Complete Parking Light Assembly - Stainless Door	1956



FAD-13200-SS
PARKLIGHT ASSEMBLY



B6C-13200-A
PARKLIGHT ASSEMBLY



Taillights

TAILLIGHT ASSEMBLIES

48-13407	Taillight Assembly - Right Side - Painted Black	1940-52
48-13408	Taillight Assembly - Left Side - Painted Black	1940-52
40-13407	Taillight Assembly - Right Side - Stainless Steel	1940-52
40-13408	Taillight Assembly - Left Side - Stainless Steel	1940-52
C3TZ-13405-H	Taillight Assembly - Left or Right Side	1953-54
B7C-13404-LR	Taillight Assembly - Left Side	1955-56
B7C-13405-RR	Taillight Assembly - Right Side	1955-56
C7TZ-13450-C	Taillight Lens for B7C Taillights with Back-Up Light	



C3TZ-13405-H
TAILLIGHT LAMP



B7C-13404-LR



C7TZ-13450-C



40-13407
LIGHT ASSEMBLY

TAILLIGHT - REPLACEMENT TYPE

B5C-13404	Taillight Assembly - Right Side - Painted -	1953-56
B5C-13405	Taillight Assembly - Left Side - Painted -	1953-56
B5C-13404-C	Taillight Assembly - Right Side - Chrome	1953-56
B5C-13405-C	Taillight Assembly - Left Side - Chrome	1953-56
B5C-13404-SS	Taillight Assembly - Right Side - Stainless	1953-56
B5C-13405-SS	Taillight Assembly - Left Side - Stainless	1953-56

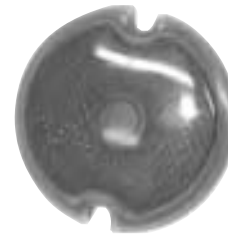


B5C-13404-SS
TAILLIGHT LAMP



TAILLIGHT LENS (PLAIN)

40-13450	Glass	1940-52
----------	-------	---------



40-13450
LENS

TAILLIGHT LENS (FoMoCo SCRIPT)

B9C-13450-A	Round Type - Plastic - With FoMoCo Script	1953-56
B5C-13450-A	Shield Type - Plastic - With FoMoCo Script	1955-56



B9C-13450-A



B5C-13450-A

TAILLIGHT LENS WITH BLUE DOT

40-13450-BD	Plain with Blue Dot Installed	1940-52
B3C-13450-PBD	Plain with Blue Dot Installed	1953-54
B5C-13450-BD	Plain with Blue Dot Installed	1953-56



40-13450-BD
LENS

TAILLIGHT LENS (FORD SCRIPT)

B3C-13450-FS	Chrome Plated - Ford Script	1953-54
B5C-13450-FS	Chrome Plated - Ford Script	1953-56
B5C-13450-BL	"FORD" Molded into lens - Plastic - Letters have Silver Foil Overlay	1953-56



B5C-13450-BL



B3C-13450-FS



B5C-13450-FS



TAILLIGHT LENS (FORD SCRIPT) & BLUE DOT

With Glass Blue Dot Installed in Lens

B3C-13450-SBD	Taillight Lens - Chrome Plated - Ford Script	1953-54
B5C-13450-SBD	Taillight Lens - Chrome Plated - Ford Script	1953-56
B5C-13450-FBD	Taillight Lens-"Ford" Molded into lens-Plastic	1953-56



B5C-13450-FBD
LENS

TAILLIGHT RELATED PARTS

B6A-13234-A	Tail Lamp wire and socket and tail light wire & socket - 2 terminal - 12V	1953-60
BAAA-13410	Socket & Wiring Assembly - Replacement Type	1953-59
B6C-13410-A	Taillight Pigtail - Genuine Ford - Step Side - Exact of Original	1953-72
7C-13410	Taillight Wiring Repair Kit: 2 wires, 2 retainers, 1 spring- use only when you have a socket for turn signals	1948-56
40-13447	License Plate Light Lens Gasket	1940-54
B5C-13447	License Plate Light Lens Gasket	1955-56
40-13448	Taillight Rim - Stainless	1948-52
B5C-13461	Taillight Lens to Housing Gasket	1955-56
91A-16606	Ford Script - Chrome Plated with installation clips	1955-56
A-13450BDG	Blue Dot (Glass) with chrome retainer to install in lens	ALL
40-13461	Outer Lens Gasket	1940-52
40-13460	Inner Lens Gasket	1940-52
B5C-13564-B	License Plate Light Lens for Shield Type Taillight	1955-56



A-13450-BDG
BLUE DOT



B5C-13564-B
LENS



40-13460
GASKETS

Socket Wiring made exactly like the original. Note the sealed socket and original correct ends. Fits Ford Trucks from 1953-60.



B6C-13410-A
SOCKET WIRING



B5C-13461
GASKETS



B6A-13234-A
SOCKET WIRING



B5C-13447
GASKET



40-13447
GASKET



TAILLIGHT BRACKETS

7C-13470	Taillight Bracket - Right Side	1948-52
7C-13471	Taillight Bracket - Left Side	1948-52
7C-13470-C	Taillight Bracket - Right Side - Chrome	1948-52
7C-13471-C	Taillight Bracket - Left Side - Chrome	1948-52
BAAA-13470	Taillight Bracket - Fits Both Sides	1953-56
BAAA-13470-C	Taillight Bracket - Fits Both Sides - Polished Stainless	1953-56



7C-13470-
CTAILLIGHT
BRACKET



BAAA-13470-C
TAILLIGHT BRACKET

TAILLIGHT WIRING CONDUIT

PU-14578	Taillight Wiring Conduit - Universal - Stainless Steel - Covers Wire from Taillight to Bed	All
----------	--	-----

TAILLIGHTS & PARTS - PANEL TRUCK

11A-13404	Panel Taillight Assembly - Complete Right Side	1948-56
11A-13405	Panel Taillight Assembly - Complete Left Side	1948-56
11A-13420	Housing to Body Gasket- Rubber - pr.	1948-56
11A-13450	Taillight Lens - Glass	1948-56
11A-13450-BD	Taillight Lens - Glass - Blue Dot	1948-56
11A-13461	Lens to Housing Gasket	1948-56
7RA-13568	Rear License Plate Lens Gasket	1948-56



11A-13404
PANEL TAILLIGHT ASSEMBLY

LICENSE PLATE LIGHT - PANEL TRUCK

7RA-13564	Rear license plate lamp lens for Panel Truck	1948-56
8A-13550-A	Licence Plate Lamp Assy. Panel Truck	1948-56



8A-13550-A

License Plate Light

LICENSE PLATE BRACKET FOR ALL EXCEPT PANEL & STYLE SIDE

B-13406-A	License Plate Bracket - Rear - Painted Black	1948-Up
B-13406-C	License Plate Bracket - Rear - Polished Stainless	1948-Up



B-13406-A
LICENSE PLATE
BRACKET

Lamp Switches

STOPLIGHT SWITCH

01A-13480	Stoplight Switch	1940-66
-----------	------------------	---------

HEADLIGHT DIMMER SWITCH

8A-13532	Headlight Dimmer Switch	1948-56
----------	-------------------------	---------

Turn Signal Switch

TURN SIGNAL SWITCH - NO LEVER

B5A-13341-A	Turn Signal Switch for Type with Signal in Park Light	1955
B6C-13341-A	Turn Signal Switch	1956-60
A-13340-F	Turn Signal Flasher - 6 volt	1948-52
A-13340TS	Universal Turn Signal Switch - Clamps to Column	All
01C-13583	Jewel Turn Indicator Light on Dash	1948-52



01C-13583
JEWEL TURN
INDICATOR LIGHT



1948 TO 1956 Ford Pickup Catalogue

www.oldcarcentre.com

Dome Light Parts

8M-13713	Dome Light Switch on Door Post	1951-56
BAAA-13752	Dome Light Switch	1953-56
1C-13876	Dome Light Lens Gasket	1951-52
8M-13783	Dome Light Lens	1953-56
FAA-13786	Dome Light Body Less Switch & Socket	1953-56
BA-13560	Dome Light Socket & Wire	1953-56



8M-13783
DOMELIGHT
LENS



BAAA-13752
DOMELIGHT SWITCH



8M-13713
DOMELIGHT SWITCH



FAA-13786
DOMELIGHT BODY LESS
SWITCH & SOCKET

Patent Data Plate

PATENT DATA PLATE

7C-14001	Patent Data Plate for Firewall with Installation Drive Screws	1948-52
----------	--	---------



7C-14001
PATENT DATA PLATE

Battery Cables

BATTERY CABLES

8A-14300	Battery to Starter Relay Cable - 17 1/2"	1948-52
8BA-14301	Battery Post to Motor Block Cable	1948-52
8M-14303	Ground Strap - 14"	1948-55

Wiring

HEADLIGHT WIRING

7HC-11653	Headlight Crossover Wire	1948-50
1C-11653	Headlight Crossover Wire	1951-52
B4C-11653A	Headlight Crossover Wire with Turn Signals & Horn	1953-55
B6C-11653-A	Headlight Crossover Wire - PVC wire	1956
11A-13076	Headlight Bucket Wires - Rubber Covered	1948-55
51A-13077	Headlight Bucket Wire Grommet	1948-56
8C-13078-C	Headlight Wire Grommet on Left Side of Radiator	1948-52

PARKING LIGHT WIRING

7RC-13234	Parking Light Wire & Socket - Single Contact	1948-50
1C-13234-A	Parking Light Wire & Socket - Single contact	1951-52
B6A-13234-A	Park Lamp wire and Socket & Taillight wire & Socket - 2 terminal - 12V	1953-60
7C-13410	Parking Light Wire Repair Kit - Includes 2 wires, 2 retainers, 1 spring	1948-56
7C-13410-A	Parking Light Wire Repair Kit - Includes 1 wire, 2 retainers, 1 spring	1948-56
BAAA-13410	Parking Light Socket & Wire Assembly for Turn Signals Replacement	1948-56

DASH OR COWL WIRING HARNESS WITH WIRING DIAGRAM

8RC-14401-CD	Cowl Wiring - 8 cyl	1948-50
1RC-14401-CD	Cowl Wiring - 8 cyl	1951
2RC-14401-A	Cowl Wiring - 8 cyl	1952
FAK-14401-A	Cowl Wiring - 8 cyl	1953
FDE-14401-AB	Cowl Wiring - 8 cyl	1954
B5C-14401-F	Cowl Wiring - 8 cyl. - PVC wire	1955
B6C-14401-D	Cowl Wiring - 8 cyl. - PVC wire	1956

TAILLIGHT WIRING

40-13410	Taillight Wire Repair Kit	1948-52
01C-13410	Taillight Wire & Socket	1948-52
BAAA-13410	Taillight Wire & Socket - Replacement	1948-56
B6C-13410-A	Taillight Pigtail - Genuine Ford - Stepside	1956-Up
8C-14405	Taillight Wiring Dash to left hand Taillight - F-1	1948-52
7RD-14405	Taillight Wiring Dash to left hand Taillight - F-2	1948-52
7RC-14424	Tailgate Crossover Wire - 43" - F-1	1948-52
B5C-14405	Taillight Wiring with Turn Signal - F - 100	1953-55
B6C-14405	Taillight Wiring with Turn Signal - F-100 - PVC wire	1956
B5C-14424-A	Taillight Crossover Wire 45"	1953-55



DOME LIGHT WIRING

FAC-13796-B	Dome Light Socket Wire	1953-55
1C-14318	Dome Light Feed Wire - 100"	1951-52
B5C-14318	Dome Light Feed Wire	1953-55
B6C-14318	Dome Light Feed Wire - PVC wire	1956

HORN WIRING & RELAY

FAB-14308-A	Horn Contact Wire in Steering Column	1948-56
68-14436-A	Horn Wire Out of Horn	1948-50
1C-14440-A	Horn Relay to Horn Wire - 41"	1951-52
FAF-14440-A	Horn Relay to Horn Wire	1953-54
B5C-14440	Horn Relay to Horn Wire	1955
7RC-14479	Horn Button Index Spring	1948-60
FAA-13853	Horn Relay	1948-55
B6A-13853	Horn Relay	1956

MISCELLANEOUS UNDER HOOD WIRING

7RA-14302	Coil to Distributor - 8 cylinder	1948-53
8C-14305	Generator to Voltage Regulator Wiring - V-8 & 6 cylinder	1948-51
FDE-14305-A	Generator to Voltage Regulator Wiring - 8 cylinder	1954
FDM-14305-A	Generator to Voltage Regulator Wiring - 8 cyl. - PVC wire	1955
FAA-14439-A	Starter Solenoid to Junction Box Wiring	1953-54
7RA-14432	Temperature Senders Crossover Wire - V-8	1948-53
B6C-14382-A	Overdrive Wiring - Solenoid to Relay for Firewall - PVC wire	1956
1C-14347-A	Cigar Lighter to Circuit Breaker Wire	1951-52
FAB-14347-A	Cigar Lighter to Circuit Breaker Wire	1953-54
7RC-14406-A	Fuel Tank Sending Unit Feeder Wire - 110"	1948-52
7RC-14406-D	Fuel Tank Sending Unit Feeder Wire - 51"	1948-52
FDE-14476-A	Ford-O-Matic Neutral Safety Switch Wire - 6 & 8 cylinder	1954
FDE-14476-AP	Ford-O-Matic Neutral Safety Switch Wire - 6 & 8 cylinder - PVC Wire	1955
B-14486	Male Wire End - 14-16 gauge wire - package of 10	
B-14487	Wiring Connectors	
59A-14487	Double Splice or Four-Way Wiring Connector	
8M-14197	Melt Clip to hold wiring on starter cable to dash - 17/32"	
51C-14197	Melt Clip 7/16" brake line and fuel line	
B-14585	Metal Clip Holds Wire Along Frame	



Firewall Grommets

FIREWALL GROMMETS

1A-14603-B	Main Wiring Loom Grommet	1948-56
8A-14608	Main Wiring Loom Retainer	1948-56
7C-17265	Choke, Throttle & Speedometer Cable Grommet Also fits 1948-50 speedometer cable where it goes through floor board	1951-52
B-14605	Choke & Throttle Cable Grommet	1948-50 1953-56
8A-14605-A	Electric Wiper Motor Cable Grommet	1956
BAAA-17545	Wiper Hose Grommet	1953-56



1A-14603-B
MAIN WIRING
GROMMET



8A-14608
MAIN WIRING LOOM
RETAINER

Cigar Assemblies

CIGAR ELEMENT WELL ASSEMBLIES & KNOBS

7C-15052	Cigar Knob	1948-50
1C-15052-A	Cigar Knob	1951-52
BAAA-15052	Cigar Knob - Exactly as original	1953-56
B6C-15055	Cigar Lighter Element & Well Assembly - 12 volts	1956
11A-15055	Cigar Lighter Element & Well Assembly - 6 volt	1948-55
8N-9004601-A	Cigar Knob and Element Well with Bracket & Wire	1948-50



BAAA-15052
CIGAR KNOB



8N-9004601-A



7C-15052
CIGAR KNOB



1C-15052-A
CIGAR KNOB



B6C-15055
CIGAR LIGHTER
ELEMENT & WELL
ASSEMBLY

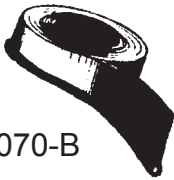


Fender Welt & Seals

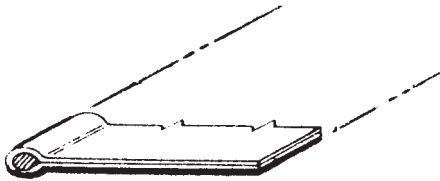
FENDER WELT

B-16070-B	Fender Welt - Black	All
B-16070-C	Fender Welt - Stainless Steel - Comes in 8 Foot length	All
B-16070-R	Fender Welt - Rubber - comes in 25 foot length	All

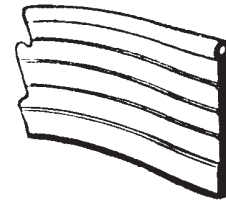
B-16070-B



B-16070-C

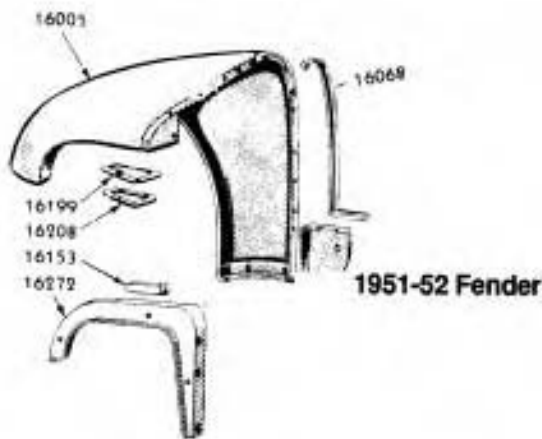


B-16070-R

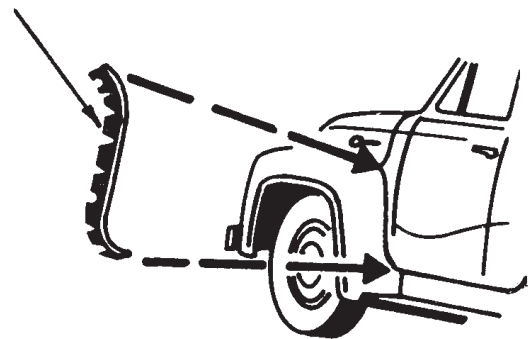


COWL TO FENDER SEALS

7C-16068	Back to Front Fender to Cowl Seal	1948-52
BAAA-16126	Back to Front Fender to Cowl Seal	1953-56
7C-16086	Front Fender Skirt Flange to Radiator Grille Gasket	1948-50
91A-16084-S	Front Inner Splash Apron to Fender Bolts - Set of 10	1948-52
7RC-16153-A	Top of Front Fender Brace to Fender Support - Rubber	1948-52
1C-16208	Front Fender Plate Opening Flange Gasket	1951-52



BAAA-16126
1953-56 Back of Front
Fender to Cowl Seal



ANTI-SQUEAK

M-17772-C	Anti-Squeak - 1" wide - 50 foot roll	1948-52
-----------	--------------------------------------	---------

NOTE: Anti-Squeak fits: Radiator Grille to Lower Locking Plate; Headlamp Support Panel to Front Fender; Front Fender Apron to Cover Plate; Front Fender Skirt Flange to Lower Radiator Grille Panel; Front Fender to Bed; Front Fender Flange to Front Fender Apron & Front Fender to Upper Radiator Grille Panel.

Fenders - Steel

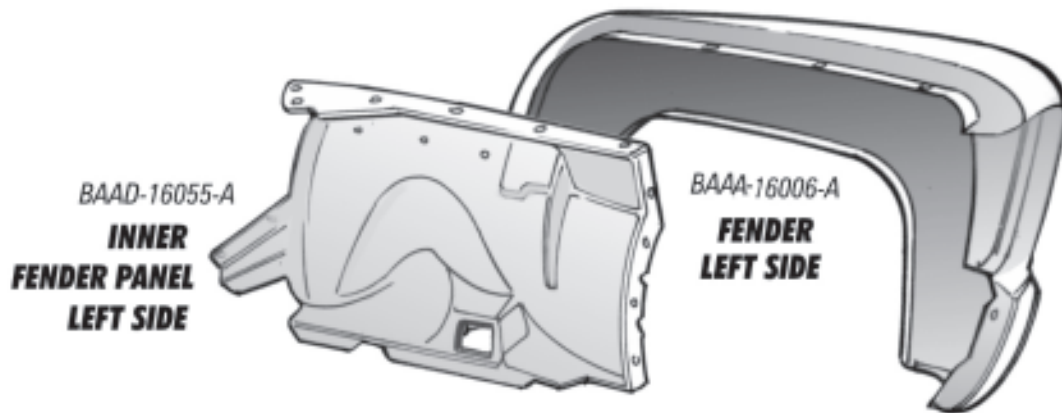
FRONT FENDER - THE VERY BEST AVAILABLE

BAAA-16005-A	Front Fender - Steel - Imported - Right Side - F100	1953-56
BAAA-16006-A	Front Fender - Steel - Imported - Left Side - F100	1953-56



INNER FENDER PANELS

BAAD-16055-A	RH Inner Fender Panel - Import - F100-700	1953-56
BAAD-16054-A	LH Inner Fender Panel - Import - F100-700	1953-56



REAR FENDERS

BAAA-16312	Rear Fender - Right - F-100, F-250 - Steel - Made off of Original Ford Dies	1953-72
BAAA-16313	Rear Fender - Left - F-100, F-250 - Steel - Made off of Original Ford Dies	1953-72
BAAA-16340-A	Rear Fender Brace - F-100, F-350	1953-56
355471-S8	Special Bolt to Fasten rear fenders to bed side 5/16" - 24 x 5/8" 24 Required	1948-72
355471-SS	Rear Fender Bolt - Stainless Steel Polish - 5/16" - 24 x 5/8, Set of 24	ALL



BAAA-16312
FENDER

**MADE OFF OF ORIGINAL
FORD DIES**

Same Thickness as Original!



1953-56
Rear Fender
Brace



355471-S8

INNER FENDER APRON BUMPERS

7C-16754-B	Inner Fender Apron to Frame Bumper	1948-52
------------	------------------------------------	---------

FENDER REINFORCEMENT BRACES

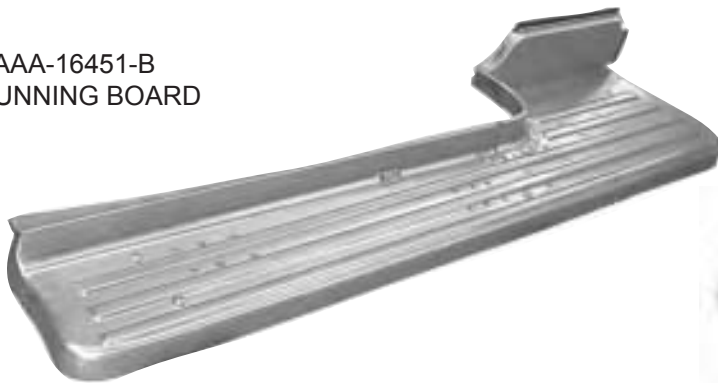
53F-16600-L	Fender Brace LH	1953-56
53F-16600-R	Fender Brace RH	1953-56

Running Boards & Parts

STEEL RUNNING BOARDS & RELATED PARTS

8C-16400	Step Plates with Ford Pick-Up Crest Cast in Center	1953-56
BAAA-16450-B	Running Board - Steel - Made off original FORD dies- Right side-F-100	1953-56
BAAA-16451-B	Running Board - Steel - Made off original FORD dies- Left side - F-100	1953-56
7C-16450/1	Running Board - Comes in pair - F-1 only	1948-52
7C-16455-S	Running Board Bolt Kit - Includes: 26 each of bolts, nuts & lock washers bolts are fine threaded carriage bolts	1948-52
BAAA-16455-S	Running Board Bolt Kit - Includes: 2 long bolts for front, 2 special rubber washers for front of running board to back of front fender, 16 correct fine threaded carriage bolts 7/8" long	1953-56
BAAA-16460-S	Back of Front Fender to Running Board Rubber Spacer with special bolt, nut & lock washer (2 of each)	1953-56

BAAA-16451-B
RUNNING BOARD



8C-16400
RUNNING BOARD STEP PLATES



BOTTOM OF CAB TO RUNNING BOARD SEALS

BAAA-16540-A	Bottom of Cab to Running Board Seal - Pickup only	1953-55
7C-8227838-PR	Running Board to rear quarter panel rubber Panel only, reproduced exactly as original	1948-52
BAAA-16540-C	Bottom of Cab to Running Board Seal - Panel only	1953-56
B6C-16540	Bottom of Cab to Running Board Seal - Pickup only	1956



Emblems - Hood & Side

8C-16605	Side of Cab Emblem - Die Cast - Chrome Plated F-1	1948-50
91A-16606	Ford Script - Chrome Plated with Installing Clips	All
2C-16608-A	Radiator V-8 Emblem for Hood	1952



91A-16606
FORD SCRIPT



8C-16605
F-1 EMBLEM

BAAA-16637-A	Hood Emblem - Front - Painted	1953-56
BAAA-16638-S	Hood Emblem Pad - Front	1953-56
BAAA-16721	Side of Hood Emblems - Die Cast - Chrome Plated	1953-54
B5C-16721	Side of Hood Emblems - Die Cast - Chrome Plated	1955
B6C-16720-PR	Hood Side Emblems - Painted Red	1956
B6C-16720-CPR	Hood Side Emblems - All Chrome	1956
B5C-8125622-PR	Door Emblems Custom Cab - painted	1955-56
BF-7042527A	Fordomatic Script	1954-56
BF-7042528A	Overdrive Script	1953-56
7C-16720-S	Side of Hood Stainless Moldings - Set of 4 - No Fasteners	1948-50
1C-16732-B	Hood Side Ends or Points for Hood Side - Stainless - moldings, die cast zinc, chrome-plated no fasteners	1951
BAAA-16732-KIT	Hood Side Trim and F-100 Emblem - F-100-600	1953-54



BAAA-16721
EMBLEMS



B6C-16720-PR
HOOD SIDE EMBLEM



BAAA-16637-A
HOOD EMBLEM

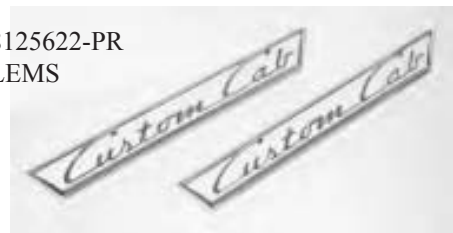


BAAA-16638-S
EMBLEM PAD



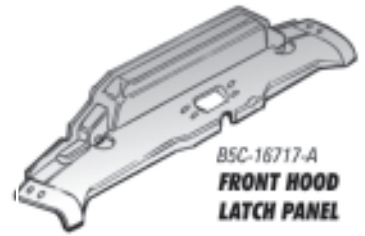
B5C-16721
SIDE OF HOOD EMBLEMS

B5C-8125622-PR
EMBLEMS



Hood Parts

8C-16614	Radiator Shroud to Hood Seal - Upper	1948-52
7C-16614	Radiator Shroud to Hood Seal - Lower	1948-52
B5C-16700	Hood Latch Assembly	1953-56
21C-16740	Cowl Lacing Kit - 49" long - Anti-squeak that fits where hood sets on cowl complete with tacks	1942-56
BAAA-16770-A	Hood Front to Top of Radiator Seal	1953-56
BAAA-16771	Hood Front to Top of Radiator Seal Metal Retainer	1953-56
B5C-16717-A	Hood Locking Panel Assy. - F100-700	1953-56
7C-16761	Hood Bumper Kit	1948-52
BAAA-16761	Hood Bumper Kit	1953-56
BAAA-16796	Hood Hinge - Right side - c/w spring - F100-700	1953-55
BAAA-16797	Hood Hinge - Left side - c/w spring - F100-700	1953-55
B6C-16796	Hood Hinge - Right side -c/w spring - F100-900	1956
B6C-16797	Hood Hinge - Left side -c/w spring - F100-900	1956
8A-16798-S	Hood Hinge Bolt Only	1953-55
B6C-16798-S	Hood Hingle Bolt Only	1956
BF-16812-A	Hood Hinge Spring - F-100, F-900	1953-56
BAAA-16892	Hood Safety Catch - Zinc Plated - F-100 - 188	1953-56
BAAA-16921-A	Hood Latch Return Spring	1953-54



Speedometer Parts

B5A-17322-A



SPEEDOMETER CABLE & HOUSING PARTS

1C-17255-A	Speedometer Assembly	F-100-800	1951-52
8C-17260-A	Speedometer Cable & Housing Assembly - All 3 speed		1948-52
A9A-17260	Speedometer Cable & Housing Assembly	3 speed - Automatic & Overdrive	1953-60
7C-17265	Speedometer Housing Grommet - where it goes through the floorboard		1948-50
B6C-17310-S	Speedometer to Dash Seal - Rubber		1956
B5A-17322-A	Speedometer Driven Gear - 20 teeth		1948-56
B5A-17322-B	Speedometer Driven Gear - 21 teeth		
B5A-17322-C	Speedometer Drive Gear - 19 teeth		
B5A-17322-D	Speedometer Drive Gear - 22 teeth		
48-17265	Speedometer Cable to Firewall Grommet		1956

Note: BEFORE ORDERING a speedometer cable, check the end of the cable where it goes into transmission to be sure that the correct part is ordered. Also make sure the speedometer head turns freely.

A9A-17260-A



8C-17260-A



1948 TO 1956 Ford Pickup Catalogue

www.oldcarcentre.com

Rear View Mirrors

INSIDE REAR VIEW MIRRORS

6A-17682-SS	Inside Rear View Mirror - Stainless - Replacement	1948-52
BAAA-17700-B	Inside Rear View Mirror with Arm & Installation Bracket - Chrome Plated	1953-55
B6C-17700-B	Inside Rear View Mirror with Arm & Installation Bracket - Chrome Plated	1956
52353-SS	Inside Mirror Bracket Screws - Stainless Steel - Set of 3	1948-56

OUTSIDE REAR VIEW MIRROR ASSEMBLIES

BAAA-17696	Outside Rear View Mirror Assembly - Complete with all attaching parts Original Accessory	1953-66
BAAA-17699-S	Mirror Arm to Door Grommet	1953-66
BAAA-17727-A	Mirror Arm in Door	1953-55
B6C-17727-A	Mirror Arm in Door	1956-66
352488-S	Plug to Fill Door Mirror Bracket Hole - Used when you do not have a mirror	1953-66



BAAA-17696



B6C-17727-A



BAAA-17727-A

68-17741	Door Hinge Mirror Assembly Complete with special pin, arm & head can be used on either side by reversing heads. Triple chrome Plated	1948-52
----------	---	---------

NOTE: Concerning part # 68-17741: You will need to grind some metal off the door hinge in order to use the mirror arm. Grind off just enough until the holes line up. This is for 1951-52 only.

D1C-17723	Mirror head - Painted Black - 5" diameter	1940-52
-----------	---	---------

68-17741
REAR VIEW MIRROR



Wiper Motors & Parts

ELECTRIC WIPER MOTORS

12 VOLT, 2 SPEED ELECTRIC WIPER MOTOR COMPLETE WITH WIRING & SWITCH

7C-17508-HD12	Complete with Wiring, Switch & Mounting Bracket	1948-50
1C-17508-HD12	Complete with Wiring, Switch & Mounting Bracket	1951-52
BAAA-17508	Complete with Wiring, Switch & Mounting Bracket	1953-55
B6C-17508	Complete with Wiring, Switch & Mounting Bracket	1956-60



BAAA-17508



B6C-17508



1948 TO 1956 Ford Pickup Catalogue

www.oldcarcentre.com

WIPER SWITCHES & KNOBS

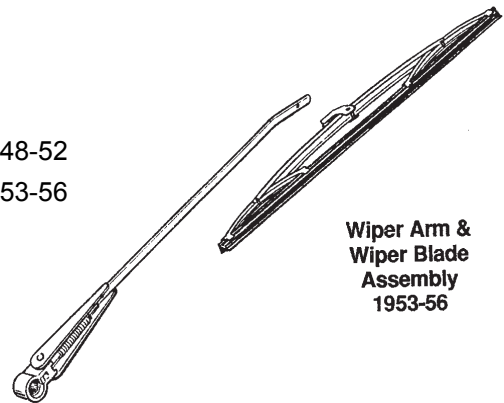
8A-14605-A	Electric Wiper Motor Cable Grommet	1956
8C-17470	Electric Wiper Motor On/Off Switch - 2 speed	1951-52
B6C-17470-A	Electric Wiper Motor On/Off Switch - 2 speed	1953-56
7C-17512-B	Electric Wiper Switch to Dash Nut - Chrome	1951-52
B7C-17512-A	Electric Wiper Switch to Dash Nut - Chrome	1953-60
1C-17513-A	Wiper Knob - On/Off - Black - Vacuum Wipers	1948-50
2C-17513-A	Wiper Knob - On/Off - Black - Vacuum Wipers	1951-52
BAAA-17513	Wiper Knob - On/Off - Black	1953-56

WIPER ARM - ORIGINAL TYPE

7C-17527	Wiper Arm - Stainless - Right or Left - Original Type	1948-52
B6C-17527	Wiper Arm - Stainless -Right or Left - Original Type	1953-55
B6C-17526	Wiper Arm - Stainless-Right Side - Original Type	1956
B6C-17527	Wiper Arm - Stainless-Left Side - Original Type	1956

WIPER BLADE - ORIGINAL TYPE

7C-17528	Wiper Blade - Stainless - Original Type	1948-52
B6C-17528	Wiper Blade - Stainless - Original Type	1953-56



WIPER ARM - REPLACEMENT

DO NOT MIX ORIGINAL WITH REPLACEMENT

21A-17529	Wiper Arm	1948-56
-----------	-----------	---------

WIPER BLADE - REPLACEMENT

51A-17528	Wiper Blade - Replacement	1948-52
CA-202	Wiper Blade - Replacement	1953-60



WIPER PIVOT SEALS

7C-17541	Wiper Pivot to Cowl Gasket	1948-52
BAAA-17541-A	Wiper Pivot to Cowl Gasket	1953-60
7C-17515	Wiper Pivot Shaft Bezel or Spacer - Chrome Plated	1948-52
BAAA-17515-A	Wiper Pivot Shaft Bezel or Spacer - Chrome Plated	1953-60



7C-17515
BEZEL



BAAA-17515-A
BEZEL

WIPER PARTS

06H-17531	Wiper Arm Clip - goes under dash to motor	1948-56
BAAA-17542-A	Wiper Motor Clevis - Comes with electric motor	1953-55
B6Q-17542-A	Wiper Motor Clevis - use when changing from vacuum to electric motor - comes with electric motor	1956-60
BAAA-17545	Wiper Hose Grommet	1953-55
51A-17562	Wiper Arm to Motor Grommet	1948-55



B6Q-17542-A

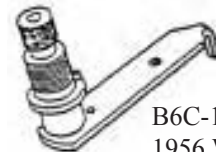
CLIP
06H-17531

WIPER PIVOTS

7C-17566-A	Wiper Pivot Assembly-RH-electric wiper motor only	1951-52
7C-17567-A	Wiper Pivot Assembly -LH- electric wiper motor only	1951-52
BAAA-17566	Wiper Pivot Assembly	1953-55
B6C-17566	Wiper Pivot Assembly	1956
356094-S	Wiper Pivot Shaft Nut - Chrome Plated	1948-60
356095-S	Wiper Pivot Shaft Nut - Chrome Plated	1956



BAAA-17566
1953-55 Wiper
Pivot Assembly



B6C-17566
1956 Wiper Pivot
Assembly

WINDOW SHADES

7C-18246	Window Shades	1948-52
BAAA-18246	Window Shades	1953-55
B6C-18246	Window Shades	1956

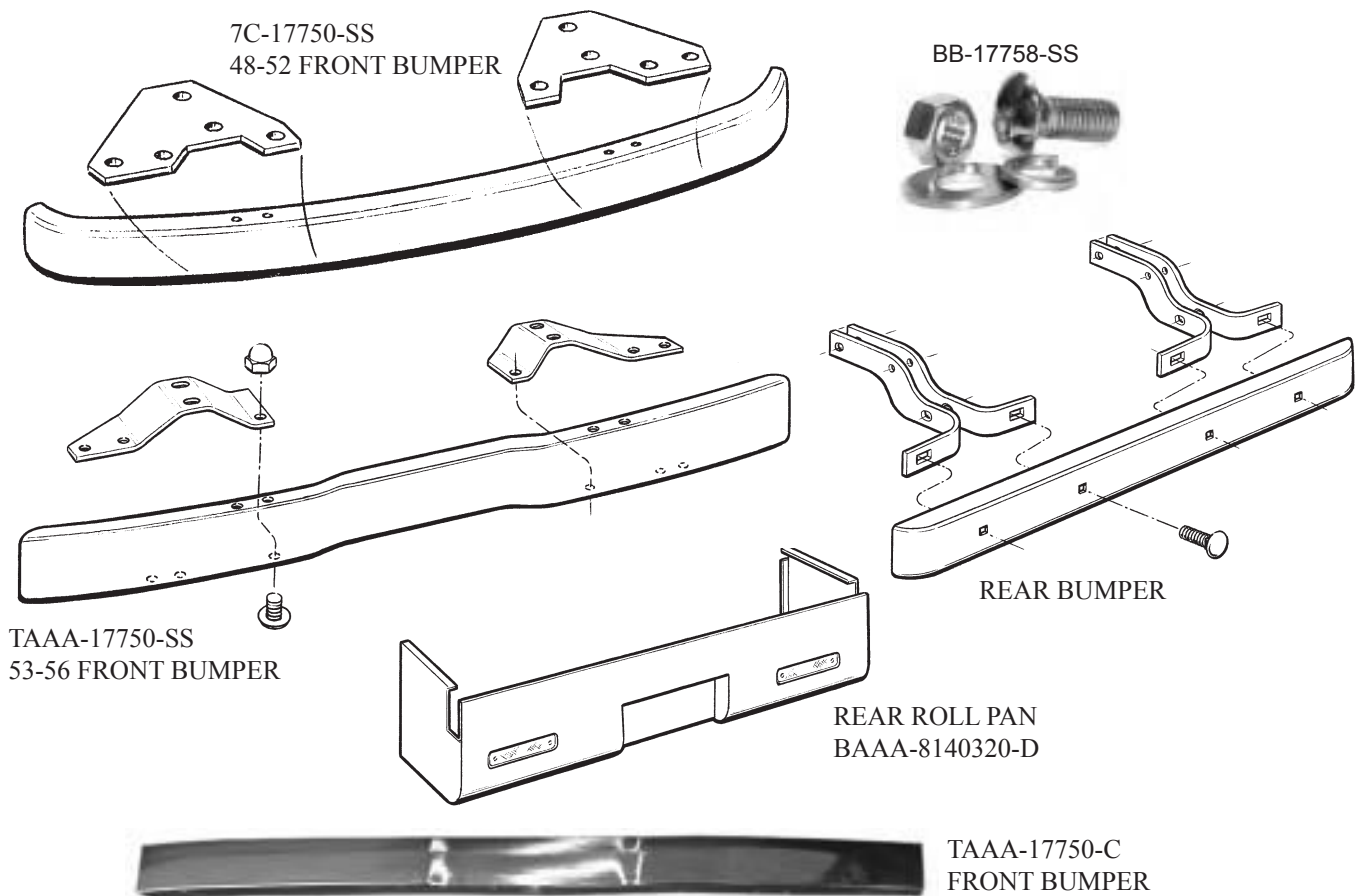


7C-18246
WINDOW SHADE
(COMES IN PAIR)



Bumpers

7C-17750-A	Front Bumper - Cold Rolled Steel with Brackets	1948-52
7C-17750	Front Bumper - Chrome	1948-52
7C-17750-SS	Front Bumper - Polished Stainless Steel with brackets	1948-52
TAAA-17750-B	Front Bumper - Cold Rolled Steel with Brackets	1953-56
TAAA-17750-C	Front Bumper - Chrome	1953-56
TAAA-17750-SS	Front Bumper - Polished Stainless Steel with Brackets	1953-56
NOTE: 7C-17750-A, 7C-17750 & 7C-17750-SS is correct for 1948-50, but will fit 1951-52		
48-17758-R	Rear Bumper Bolt with Stainless Steel Cap	1948-56
BB-17758-SS	Stainless Rear Bumper bolt w/ nut, washer	1948-56
B5C-17906-A	Rear Bumper - Cold Rolled Steel - no brackets	1948-56
B5C-17906-SS	Rear Bumper - Polished Stainless Steel with Bolts - no brackets	1948-56
B5C-17787-A	Rear Bumper Arm Bracket - Right Outer or Left Inner	1948-56
B5C-17788-A	Rear Bumper Arm Bracket - Right Inner or Left Outer	1948-56
BAAA-17787-AK	Rear Bumper Arm Bracket Set - Rivetted Together	1948-56
BAAA-8140320-A	Rear Roll Pan - Plain	1953-56
BAAA-8140320-B	Rear Roll Pan with License Plate Recess	1953-56
BAAA-8140320-C	Rear Roll Pan with Taillights, No License Plate Recess	1953-56
BAAA-8140320-D	Rear Roll Pan with License Plate Recess & Taillights	1953-56

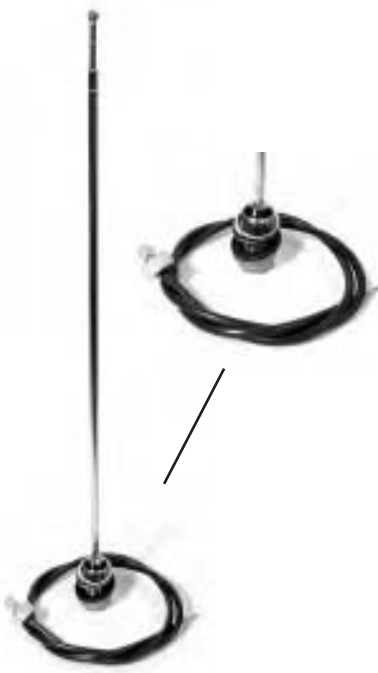


Antenna

ANTENNA ASSEMBLY

ALL ANTENNAS Come Complete with Template & Lead-In Wire

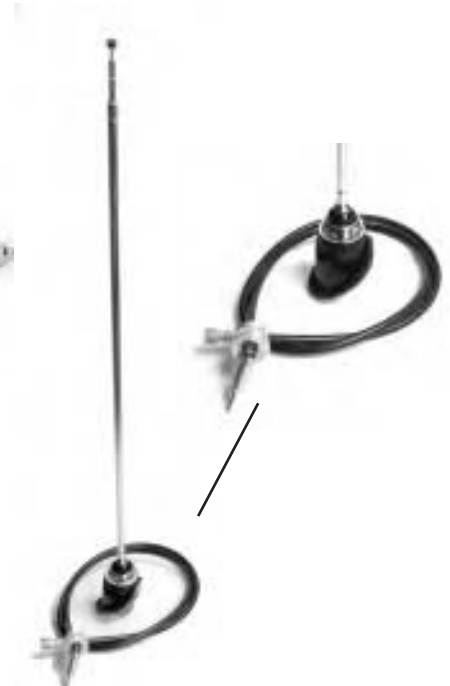
6A-18813	Top of Cowl Antenna Assembly - Exactly as Original	1948-52
BAAA-18813-A	Top of Cowl Antenna Assembly - Exactly as Original	1953-55
B6C-18813	Top of Cowl Antenna Assembly - Exactly as Original	1956
6A-18815-S	Antenna Mast Assembly	1948-66



6A-18813



BAAA-18813-A



B6C-18813

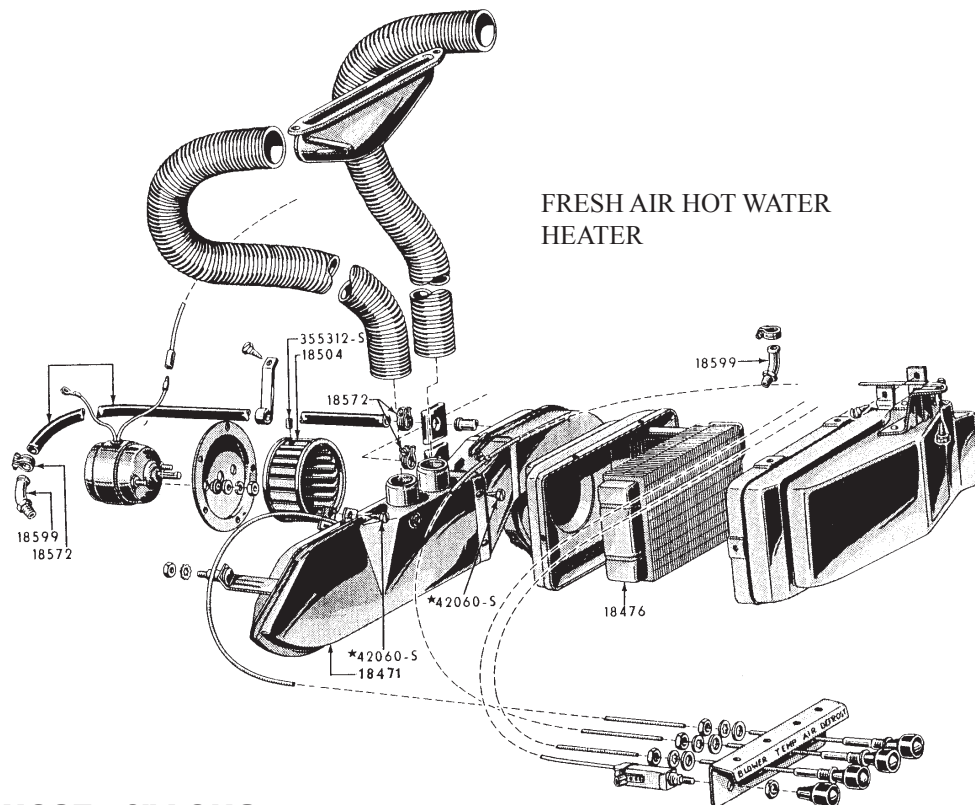


1948 TO 1956 Ford Pickup Catalogue

www.oldcarcentre.com

Heater Parts

91A-15142	Heater Hose - On/Off Valve - goes on motor	1948-56
21A-18527	Heater Motor - Universal - 6 volt - 1-speed	1948-55
B6C-18527	Heater Motor - Universal - 12 volt - 1-speed	1956-60
BAAA-18565-S	Recirculating Heater Seal Kit - Includes: 2 core to housing seals	1953-56
91A-18572	Heater Hose Clamp	ALL
8C-18578-A	Heater Switch Assembly	1948-50
1C-18578	Heater Switch Assembly	1951-55
1A-18578-A	Heater Switch Assembly - 2 speed	1956
8C-18595	Heater Tube to Firewall Seal - need 2 per truck	1948-52
8M-18599	Heater Hose Nipple on Water Pump - F100-350	1948-56
7C-9700-U	Heater Cable Replacement - Cut to Fit	ALL
7C-9700	Knob for Above Cable	1948-50
1C-9700	Knob for Above Cable	1951-52
BAAA-9700	Knob for Above Cable	1953-56
DF-490	Decal for Heater Control Blower and Temperature Air Defroster - cut to fit	1953-56



DEFROSTER HOSE - 6" LONG

91A-18554	Defroster Hose - 1 3/4" I.D.
FAB-18556-D	Defroster Hose - 2" I.D.
B5A-18556-C	Defroster Hose - 2 1/2" I. D.



Firewall & Cowl

COWL & FLOOR PAN RUBBER PLUGS

352291-S	Cowl & Floor Pan Rubber Plug - 3/4" hole plug
352284-S	Cowl & Floor Pan Rubber Plug - 1 1/4" hole plug
352285-S	Cowl & Floor Pan Rubber Plug - 1 1/2" hole plug
357216-S	Cowl & Floor Pan Rubber Plug 1 3/4" (1.87) hole

BATTERY HOLE COVER TO FLOOR SEAL

BAAA-8101645-B	Battery Hole Cover to Floor Seal	1953-55
B6C-8101645-B	Battery Hole Cover to Floor Seal	1956

FIBERGLASS FIREWALL COVERS - NO INSULATION OR PRE-CUT HOLES

7C-8101670-A	Firewall Cover Underdash - Plain	1948-52
7C-8101670-FS	Firewall Cover Underdash - Ford Script	1948-52
B6C-8101670-A	Firewall Cover Underdash - Plain	1953-56
B6C-8101670-FS	Firewall Cover Underdash - Ford Script	1953-56



ABS FIREWALL COVERS

New tough A B S Plastic Firewall Covers with insulation attached. Molded to fit the original firewall with holes pre-cut.

7C-8101670-ABS	Firewall Cover	1948-52
BAAA-8101670-ABS	Firewall Cover	1953-55
B6C-8101670-ABS	Firewall Cover	1956
48-7001670-C	Special Clip to Fasten Firewall Cover to Firewall - Metal	ALL

BAAA-8101670-ABS



48-7001670-C

COWL VENT GASKET

7C-8102330-A	Cowl Vent Gasket	1948-52
BAAA-8102330-A	Cowl Vent Gasket	1953-56

UNDERDASH COWL KICK PANELS

7C-8102340-R	Underdash Cowl Kick Panels - Red	1948-52
7C-8102340-BL	Underdash Cowl Kick Panels - Black	1948-52
7C-8102340-BR	Underdash Cowl Kick Panels - Brown	1948-52
7C-8102340-GR	Underdash Cowl Kick Panels - Grey	1948-52
BAAA-8102340/1	Underdash Cowl Kick Panels - Grey	1953-55
B6C-8102340/1	Underdash Cowl Kick Panels - Grey	1956
7C-8102342	Special Clip to Install Cowl Kick Panels - set of 6	1948-52

NOTE: these clips are included when you order 1948-52 kick panels. All underdash cowl kick panels complete with material sewed on front edge.



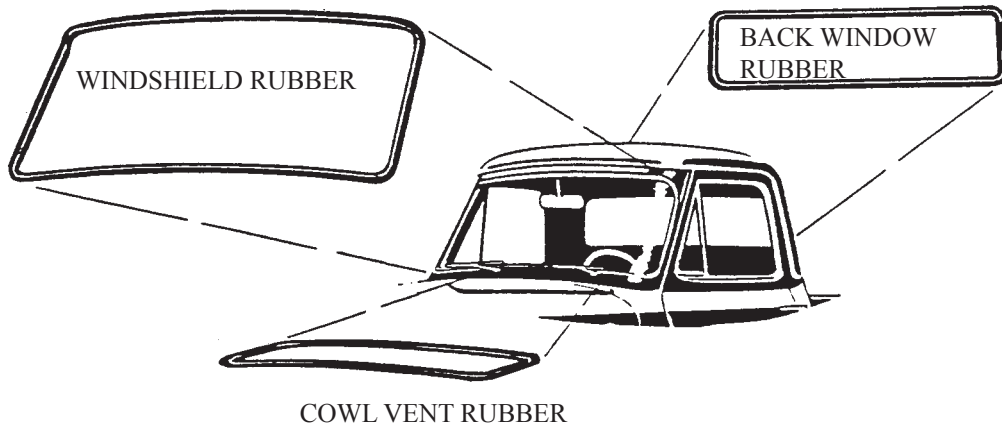
7C-8102340-BL
UNDERDASH COWL KICK
PANELS

DOOR PANELS

1C-8123890-BR	Door Panels - Brown	1951-52
1C-8123890-BL	Door Panels - Black	1951-52
1C-8123890-R	Door Panels - Red	1951-52
1C-8123890-GR	Door Panels - Gray	1951-52
BAAA-8123890-PR	Door Panels - Gray - 23.75" x 32.75"	1953-55
B6C-8123890-PR	Door Panels - Gray - 24.25" x 32.75"	1956
BAAA-8120018	Clips to hold door panels on - enough for both doors	1953-56

Windshield Rubber

7C-8103116-A	Windshield Rubber - No Chrome	1948-52
1C-8103110	Windshield Rubber - With Groove for Chrome	1951-52
BAAA-8103110-A	Windshield Rubber	1953-55
B6C-8103110-A	Windshield Rubber - No Chrome	1956
B6C-8103110-B	Windshield Rubber - With Groove for chrome	1956
52388-SSGM	Garnish Molding Screws - Stainless Steel - Set of 6	1953-56



Back Window Rubber

7C-8142084-A	Back Window Rubber	1948-50
1C-8142084	Back Window Rubber	1951-52
BAAA-8142084	Back Window Rubber - Use without wrap around back glass	1953-56
B6C-8142084-A	Back Window Rubber - Use with wrap-around back glass	1956
7C-8242084-P	Panel Rear Door Window Rubber	1948-52
BAAA-8242084-P	Panel Rear Door Window Rubber	1953-56



Dash Knobs

DASH KNOBS - 1948-50

Reproduced exactly as original - complete with installing instructions.

7C-9700	Heater Blower Motor, Air, Defrost & Temperature Control	1948-50
7C-9703	Choke Knob	1948-50
7C-9778	Throttle Knob	1948-50
7C-11661	Headlight Switch Knob with Shaft	1948-50
7C-15052	Cigar Knob	1948-50
1C-17513-A	Wiper Knob - On/Off - Black - Vacuum Wipers	1948-50
7C-8101656	Ashtray Knob	1948-50



DASH KNOBS - 1948-56

Reproduced exactly as original - complete with installing instructions. the U.S.A.

91C-7213	Gear Shift Knob for Floor Shift	1939-52
7C-7213	Gear Shift Lever Knob for Column Shift - Ball Shape	1948-55
1A-13305	Turn Signal Lever Knob	1948-56



91C-7213
GEAR SHIFT KNOB
FOR FLOOR SHIFT



7C-7213



1A-13305

DASH KNOBS - 1951-52

Reproduced exactly as original - complete with installing instructions.

1C-9700	Heater Blower Motor, Air, Defrost & Temperature Control	1951-52
1C-9703-A	Choke Knob	1951-52
1C-9778-A	Throttle Knob	1951-52
1C-11661-A	Headlight Switch Knob with Shaft	1951-52
1C-15052-A	Cigar Knob	1951-52
1C-17513-A	Wiper Knob - On/Off - Black - Vacuum Wipers	1951-52
2C-17513-A	Wiper Knob - On/Off - Black - Electric Wipers	1951-52



DASH KNOBS - 1953-56

Reproduced exactly as original - complete with installing instructions.

BAAA-8101656	Glove Box Door Knob	1953-56
BAAA-15052	Cigar Knob	1953-56
BAAA-17513	Wiper Knob	1953-56
BAAA-11661	Headlight Switch Knob with Shaft	1953-54
B6C-11661	Headlight Switch Knob with Shaft	1955-56
BAAA-9700	Choke Knob, throttle knob, defroster knob Fits recirculating & fresh air heater blower switch knob - recirculating & fresh air heater temperature control knob fresh air pull knob, pull knob for fresh air heater	1953-56
B6C-7213	Gear Shift Lever Knob for Column Shift - Sphere Shape	1956-60
BAAA-8102145	Cowl Vent Knob	1953-56

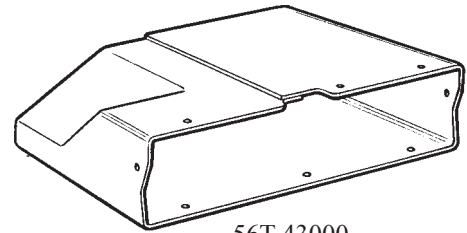


Glove Box

GLOVEBOX

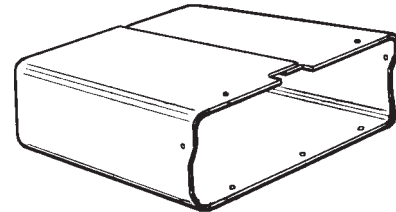
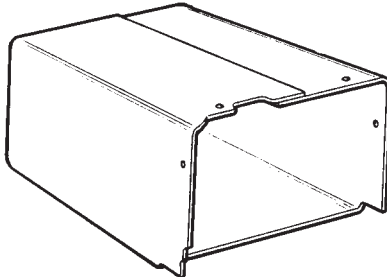
8T-43000	Glove Box Liner	1948-52
53T-43000	Glove Box Liner	1953-55
56T-43000	Glove Box Liner	1956

NOTE: All glove box liners come with installation screws & special clips in liner that the screws fit into.



56T-43000
GLOVE BOX

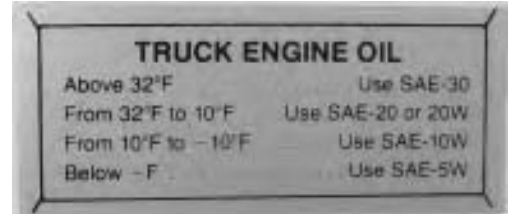
8T-43000
GLOVE BOX



53T-43000 GLOVE BOX

GLOVE BOX DOOR PARTS

BAAA-8101656	Glove Box Door Knob	1953-56
1A-7006066	Glove Box Door Bumpers	1948-52
8C-8106068	Glove Box Door Spring	1948-52
0A-16378	Glove Box Door Bumpers	1953-60
DF-390	Glove Box Door Decal	1953-60



DF-390



0A-16378



BAAA-8101656



8C-8106068

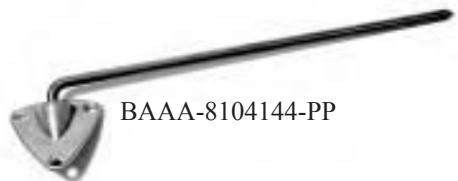
Sunvisor & Brackets

SUNVISOR & BRACKETS

7C-8104104-GR	Sun Visor - Gray	1948-52
7C-8104104-R	Sun Visor - Red	1948-52
7C-8104104-BL	Sun Visor - Black	1948-52
7C-8104104-BR	Sun Visor - Brown	1948-52
BAAA-8104104	Sun Visor - Gray	1953-55
B6C-8104104-AA	Sun Visor - Gray	1956
7C-8104144-PP	Sun Visor Bracket & Arm - Plain	1948-52
7C-8104144-CC	Sun Visor Bracket & Arm - Chrome	1948-52
BAAA-8104144-PP	Sun Visor Bracket & Arm - Plain	1953-55
BAAA-8104144-CC	Sun Visor Bracket & Arm - Chrome	1953-55
B6C-8104144-AP	Sun Visor Bracket & Arm - Plain	1956-60
B6C-8104144-CC	Sun Visor Bracket & Arm - Chrome	1956-60



7C-8104144-PP



BAAA-8104144-PP



B6C-8104144-CC



7C-8104104-R
VISOR

Floor Mats

You Cut Holes for Floor Shift

7C-8113000	Front Floor Mat - No Jute Backing	1948-52
BAAA-8113000	Front Floor Mat - Exactly as Original - No Jute Backing	1953-56



BAAA-8113000



1948 TO 1956 Ford Pickup Catalogue

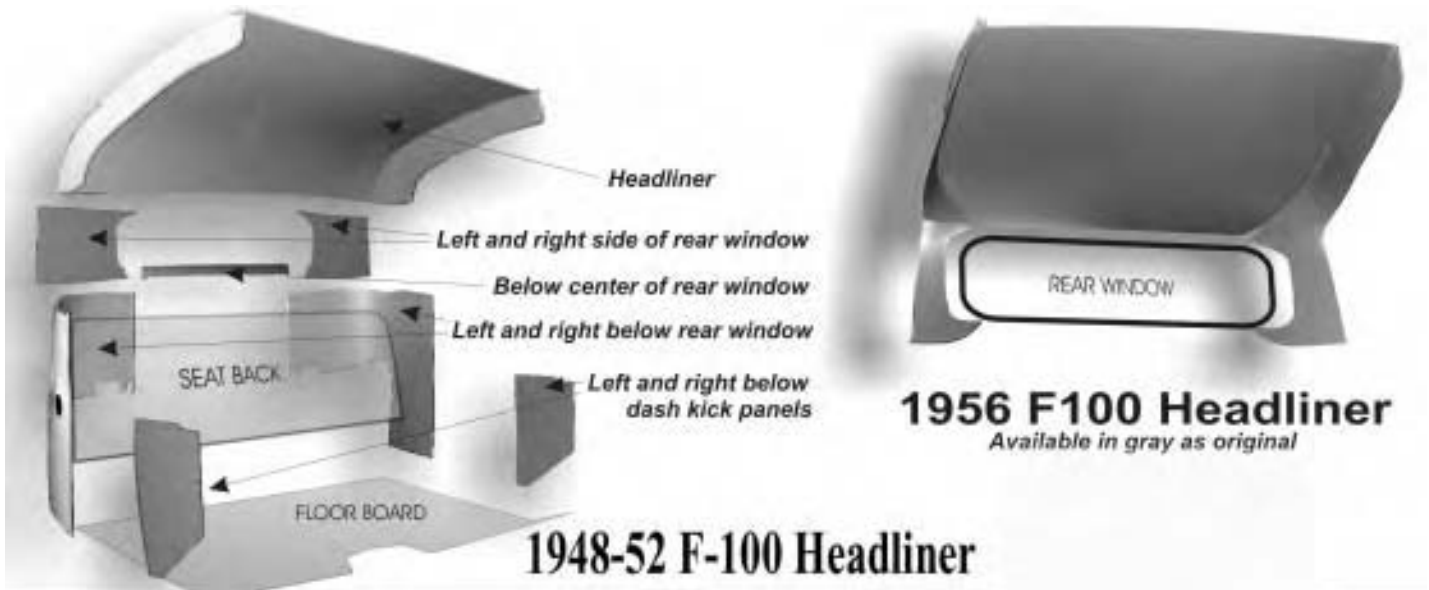
www.oldcarcentre.com

Headliner Kits

*7C-8151968-BR	Headliner Kit - Exactly as Original - Brown - except panel	1948-52
*7C-8151968-BL	Headliner Kit - Exactly as Original - Black - except panel	1948-52
*7C-8151968-R	Headliner Kit - Exactly as Original - Red - except panel	1948-52
*7C-8151968-GR	Headliner Kit - Exactly as Original - Grey - except panel	1948-52

NOTE: The above headliner kit will fit the 1951-52 by cutting the back window area larger. It is the exact size for the 1948-50. The roof headliner is sewn together, all other pieces have binding sewn on the edges. The kit includes: roof, left & right sides of back window, below back window center, left & right side of below back window & one pair of under dash kick panels. Total of eight pieces complete with screws, washers & clips.

B5C-8151968-AA	Headliner - Roof Only - Exactly as original - Gray	1953-55
B6C-8151968	Headliner - Roof Only - Exactly as original - Gray	1956
B5C-8251968-P	Headliner - Panel Truck	1953-55
B6C-8251968-P	Headliner - Panel Truck	1956
B6C-8251968-BW	Headliner - Roof only for a large back window - Gray	1956
BAAA-8142414	Special pieces- below back window behind seat on all Custom Cabs	1953-55
BAAA-8140374	Below Rear Window Trim Strip 1 1/4" x 45" - for flat glass	1953-56



ROOF HEADLINER RUBBER

BAAA-8150956	Seal to Hold Roof Headliner - 176"	1953-56
BAAA-8150960	Clip to Hold Roof Headliner - takes 16 clips	1953-56

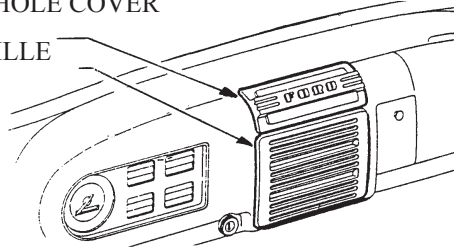
NOTE: When installing a new headliner, replacement of the headliner seal is suggested unless the original seal is in a flexible condition. A hard headliner seal can ruin a new headliner when installing.

Radio Parts

RADIO SPEAKER GRILLE

7C-8104352	Radio Speaker Grille - Beige Color - Plastic - Screws included	1948-50
7C-8104352-CC	Radio Speaker Grille - Chrome Plated - Plastic - Screws included	1948-50

RADIO HOLE COVER
RADIO SPEAKER GRILLE



RADIO HOLE COVER

Complete with Brackets to Hold Cover to Dash

7C-8104371	Radio Hole Cover - Beige Color - Plastic	1948-50
7C-8104371-CC	Radio Hole Cover - Plastic - Chrome Plated	1948-50



7C-8104371-CC
RADIO HOLE COVER
EMBLEM

Door Arm Rests

8C-8124141	Door Arm Rest (not covered) - Sold in Pairs	1948-50
BAAA-8124141	Door Arm Rest (not covered) - Sold in Pairs	1951-56

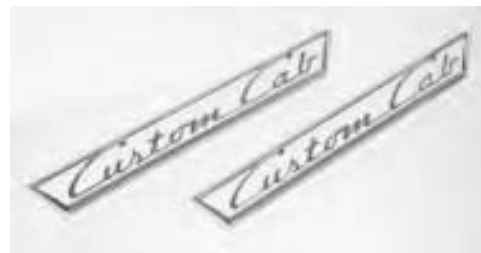


BAAA-8124141

Door Emblems

B5C-8125622-A	Door Emblem - Custom Cab Complete with Special Clips - painted	1955-56
---------------	--	---------

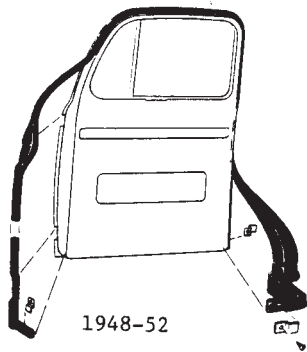
B5C-8125622-A DOOR
EMBLEMS



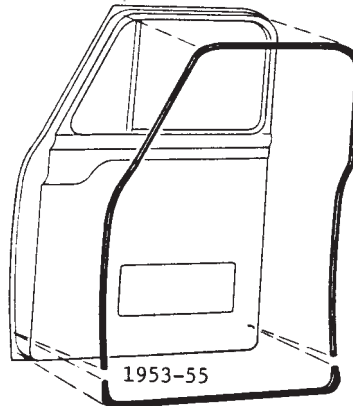
Door Seals & Trim

DOOR SEALS

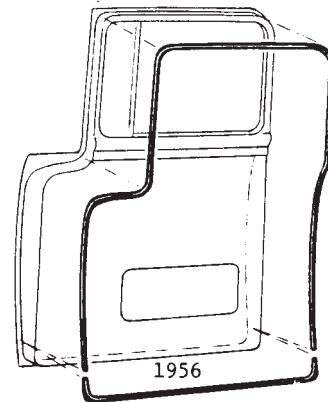
8C-8120530/1	Door Seals	1948-52
B-46440	Door Jam Bumper - need 2 per door	1948-52
BAAA-8120530/1	Door Seals	1953-55
B6C-8120530/1	Door Seals	1956
B-80230	Bottom of Door Seal - goes on body - included in door seal kit	1932-52
3M-80010	Weatherstrip Glue - Comes in a tube	ALL
20327-S8	Door Hinge to Body or to Door Bolts - need 12 per door	1953-60



1948-52
8C-8120530/1



1953-55
BAAA-8120530/1

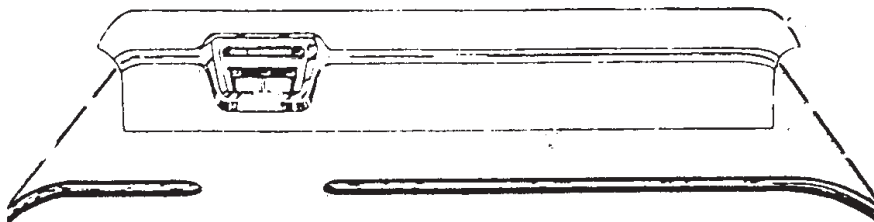


1956
B6C-8120530/1

DOOR & DASH STAINLESS TRIM

BAAA-8120960-S	Dash & Door Stainless Trim with clips to install Custom Cab	1953-55
B6C-8120910-PR	Stainless Steel Trim for outside door around window opening Comes complete with installation clips - Custom Cab	1956
B6C-8120915-S	Clips to install Door Trim - Stainless - not exact of original Grind slot into stainless to use - set of 22 pieces	1956

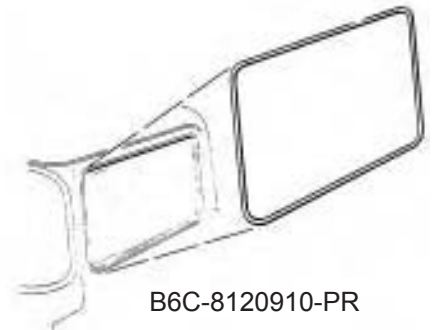
1953-55 Ford Pick-Up Custom Cab Interior Dash & Door Stainless Steel Trim Set



STAINLESS STEEL DASH & DOOR
TRIM

(2 pieces for dash, 2 pieces for door
complete with installation clips)
1953-55 F1 Custom Cab

BAAA-8120960-S



B6C-8120910-PR

Door Glass Anti-Rattlers

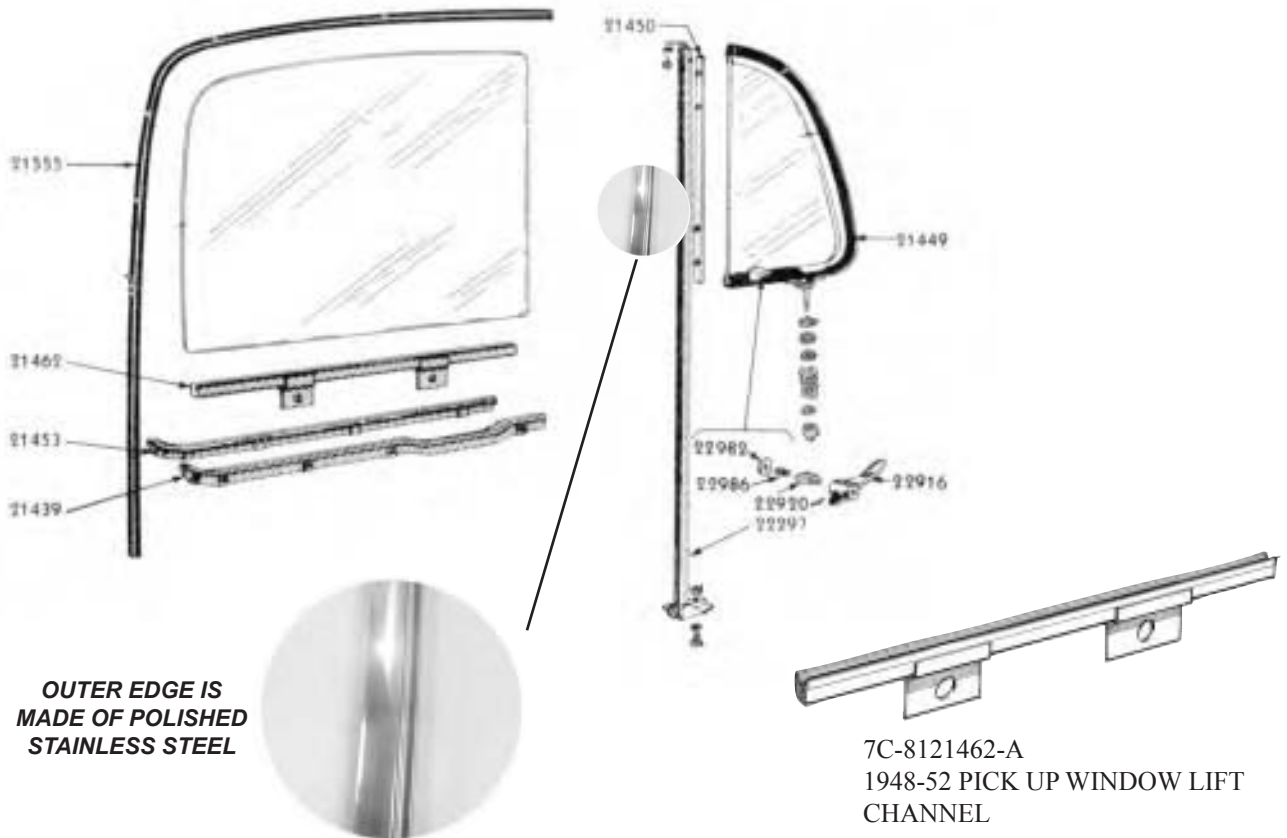
1948-52 DOOR GLASS ANTI-RATTLERS & DOOR GLASS RUNS

*7C-8121452/3	Window Anti-Rattler Set - For Both Doors - Includes: part #21453 & 21439, comes with installation clips	1948-52
8A-7021478	Door Glass Channel to Glass Tape Kit	
7C-8121462-A	Door Glass Lift Channel - right or Left - F-100-800	1948-52
*7C-8121555	Door Glass Run - comes complete with clips installed	1948-52
7C-8122297-U	Division Bar Run - comes with rivets to install brackets - Holes pre-drilled - needs to be installed on your brackets	1948-52

Complete with Brackets & Back of Vent Window Seal Assembly Ready to Install -

*7C-8122296-CA	Complete Division Bar Assembly - Right Side	1948-52
*7C-8122297-CA	Complete Division Bar Assembly - Left Side	1948-52

*** INCLUDED INSIDE COMPLETE ANTI RATTLER KIT BELOW**



1948-52 COMPLETE WINDOW ANTI-RATTLER KIT

7C-45983	Complete Window Anti-Rattler Kit - Both Doors Includes: 7C-8121452/3, 7C-8121555, 7C-8122296-CA, 7C-8122297-CA	1948-52
----------	---	---------



1948 TO 1956 Ford Pickup Catalogue

www.oldcarcentre.com

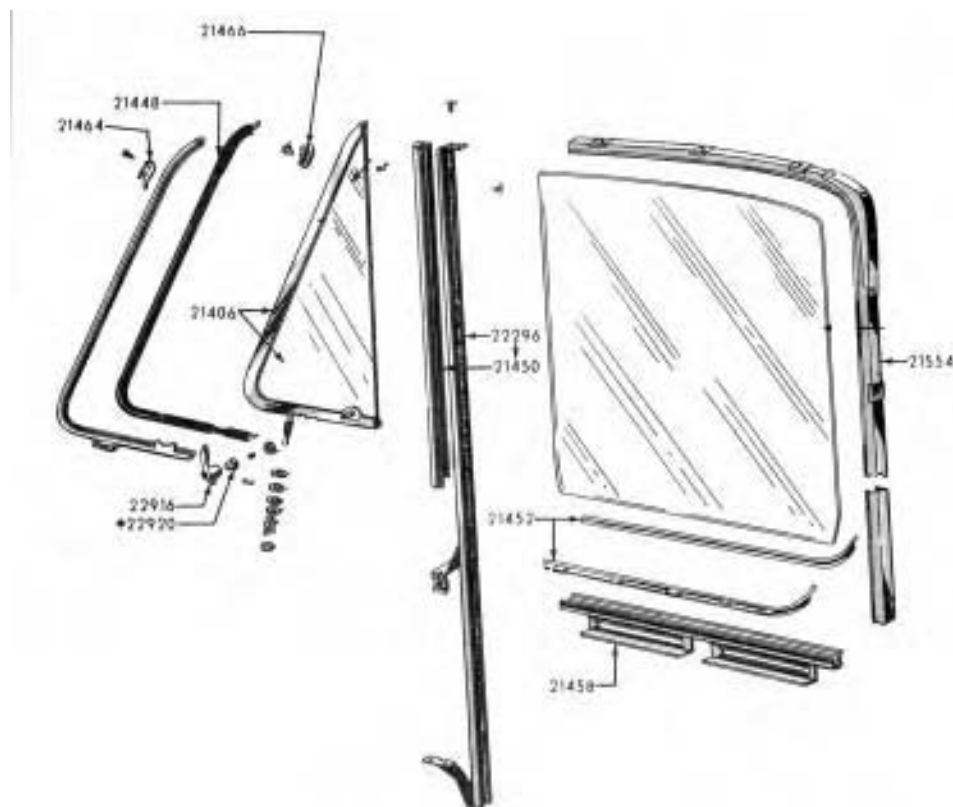
1953-55 DOOR GLASS ANTI-RATTLERS & DOOR GLASS RUNS

*BAAA-8121452/3	Door Glass Anti-Rattler with Stainless Edge-complete with clips installed - Does one door only	1953-55
B5C-8121458-A	Door Glass Lift Channel - Right or Left - F-100 - 800	1953-55
*B4C-8121554	Door Glass Run with Stainless Edge - complete with clips installed - Does one door only	1953-55
BAAA-8122297-U	Universal Division Bar Run - comes with rivets to install brackets - Comes with pre-drilled holes	1953-55

NOTE: ALL OF OUR COMPLETE DIVISION BARS HAVE A POLISHED STAINLESS STEEL BACK EDGE OF VENT WINDOW - THE BEST ON THE MARKET

*BAAA-8122296-CA	Complete Division Bar Assembly - Right Side - ready to install complete with brackets & back of vent window seal	1953-55
*BAAA-8122297-CA	Complete Division Bar Assembly - Left Side - ready to install complete with brackets & back of vent window seal	1953-55

***INCLUDED INSIDE COMPLETE ANTI RATTLER KIT BELOW**



1953-55 COMPLETE WINDOW ANTI-RATTLER KITS

BAAA-45983	Complete Window Anti-Rattler Kit - Deluxe Kit - Includes 1 pair complete division Bar Assembly # BAAA-8122296-97-CA, 2 each BAAA-8121452/3 & B4C-8121554	1953-55
------------	--	---------

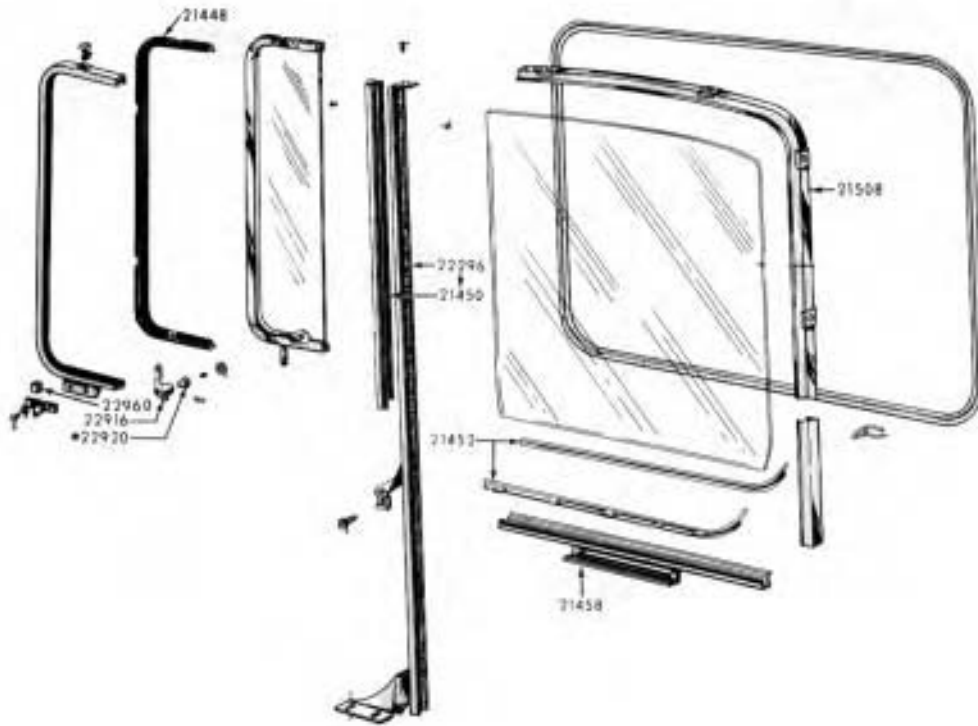
1956 DOOR GLASS ANTI-RATTLERS & DOOR GLASS RUNS

*B6C-8121452/3	Door Glass Anti-Rattler with Stainless Edge - complete with clips installed, does one door only	1956
B6C-8121458-A	Door Glass Lift channel - Right - F-100 - 800	1956
B6C-8121459-A	Door Glass Lift channel - Left - F-100 - 800	1956
*B6C-8121508-A	Door Glass Run with Stainless Edge - complete with clips installed - Does one door only	1956
B6C-8122297-U	Universal Division Bar run - comes with rivets to install brackets - Comes with pre-drilled holes	1956

NOTE: ALL OF OUR COMPLETE DIVISION BARS HAVE A POLISHED STAINLESS STEEL BACK EDGE OF VENT WINDOW - THE BEST ON THE MARKET

*B6C-8122296-CA	Complete Division Bar Assembly - Right Side - ready to install complete with brackets & back of vent window seal	1956
*B6C-8122297-CA	Complete Division Bar Assembly - Left Side - ready to install complete with brackets & back of vent window seal	1956

***INCLUDED INSIDE COMPLETE ANTI RATTLER KIT BELOW**



1956 COMPLETE WINDOW ANTI-RATTLER KITS

B6C-45983	Complete window Anti-Rattler Kit - Deluxe Kit Includes 1 pair complete division bar assembly #B6C-8122296-97-CA, 2 ea. of B6C-8121452/3 & B6C-8121508-A	1956
-----------	---	------



Vent Window Parts

VENT WINDOW RUBBERS

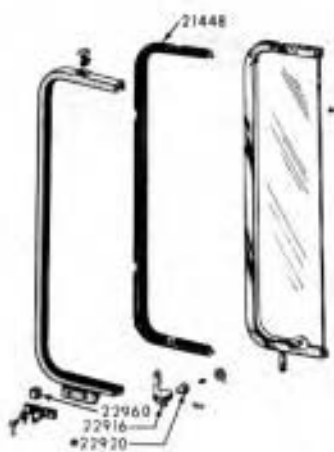
7C-8121448-PR	Vent Window Rubber Seal - Exactly as Original	1948-52
BAAA-8121448-PR	Vent Window Rubbers - Exactly as original	1953-55
B6C-8121448-PR	Vent Window Seal	1956

BACK EDGE OF VENT WINDOW SEAL

7C-8121450-RM	Back Edge of Vent Window Seal Rubber molded over metal as original - Comes on complete division bars	1948-52
BAAA-8121450-RM	Back Edge of Vent Window Seal - Rubber Molded over metal Exactly as original - Comes on complete division bars	1953-55
B6C-8121450-RM	Back Edge of Vent Window Seal - Rubber Molded over metal Comes on complete division bars	1956

VENT WINDOW FRAME PARTS

BAAA-8121407-B	LH Vent window frame Assy. Stainless steel w/ pivots	1953-55
BAAA-8121406-B	RH Vent window frame Assy. Stainless steel w/ pivots	1953-55
BAAA-8121466-A	Upper Vent Window Pivot Female - Right - Goes on vent window frame	1953-55
BAAA-8121467-A	Upper Vent Window Pivot Female - Left - Goes on vent window frame	1953-55
BAAA-8121408-R	Lower Vent Window Frame Pivot Assembly - Right side	1953-55
BAAA-8121408-L	Lower Vent Window Frame Pivot Assembly - Left side	1953-55



1956 Vent Window Parts



1953-55 Vent Window Parts

Vent Window Handles

VENT WINDOW BRACKET & HANDLE SHAFT ASSEMBY

7C-7022938	Vent Window Handle Shaft Where Handle Mounts	1948-50
01A-7022938	Vent Window Handle Shaft Where Handle Mounts	1951-55
8A-7022938-B	Vent Window Handle Shaft - Right - Where handle mounts	1956-60
8A-7022939-B	Vent Window Handle Shaft - Left - Where handle mounts	1956-60

01A-7022938
VENT WINDOW HANDLE
BRACKET



8A-7022938-B
VENT WINDOW HANDLE
BRACKET

VENT WINDOW HANDLES

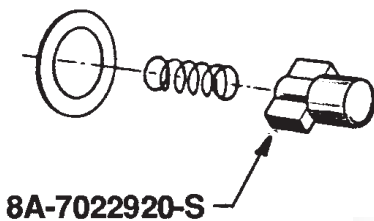
78-7022916	Vent Window Handle - Right Side	1948-50
78-7022917	Vent Window Handle - Left Side	1948-50
8M-7022916	Vent Window Handle - Right Side	1951-52
8M-7022917	Vent Window Handle - Left Side	1951-52
8A-7022920-S	Vent Window Handle Button Kit for One Handle	1951-60
BAAA-8122916	Vent Window Handle - Right Side	1953-55
BAAA-8122917	Vent Window Handle - Left Side	1953-55
A9AZ-7022916-A	Vent Window Handle with Button - Right Side	1956-60
A9AZ-7022917-A	Vent Window Handle with Button - Left Side	1956-60

**Triple Chrome
Plated!!**



78-7022916

1951-60 Vent Window Handle Button



8A-7022920-S



8M-7022916



BAAA-8122916



A9AZ-7022916-A



Door Hardware

DOOR LATCH ASSEMBLY

BAAA-8121813-A	Door Latch Assembly in Door - Left side - F100-350	1953-55
BAAA-8121812-A	Door Latch Assembly in Door - Right side - F100-350	1953-55
B6C-8121813-B	Door Latch Assembly in Door - Left side - F100-350	1956
B6C-8121812-B	Door Latch Assembly in Door - Right side - F100-350	1956



BAAA-8121813-A

DOOR HANDLE SHAFT REPAIR KIT

BAAA-8121818-RK	Inside Door Handle Shaft Repair Kit - Use when shaft is stripped where door handle installs	1953-56
BAAA-8121818	Inside Door Handle Shaft Assy. w/o arm	1953-56

BAAA-8121818-RK



BAAA-8121818



DOOR LOCK & CYLINDER PARTS

A-46205C	Door Lock Cylinder c/w 2 keys	1948-52
B2A-7021942-A	Door Lock Cover with Spring - Right side	1953-60
B2A-7021943-A	Door Lock Cover with Spring - Left side	1953-60
B7A-7022075-A	Door Lock Cover Operating Spring	1953-60
B7A-7021984-A	Door Lock Cylinder - Right Side - w/ key	1953-60
B7A-7021985-A	Door Lock Cylinder - Left Side - w/ key	1953-60
BAAA-7022050-S	Two Door Lock Cylinders with two keys and one ignition: Cylinder Assembly - All keyed the same	1953-60
B5A-7022023-A	Door Lock Cylinder Retainer Clip	1953-56
B4C-8121971-A	Door Lock Link	1953-56



B5A-7022023-A

BAAA-7022050-S

*includes 2 door lock cylinders and keys



B7A-7021985-A

B7A-7021984-A



B4C-8121971-A

DOOR HINGE ASSEMBLY

BAAA-8122800-A	Upper or Lower Door Hinge Assembly - Right Side - F100-350, Panel	1953-56
BAAA-8122801-A	Upper or Lower Door Hinge Assembly - Left side - F100-350, Panel	1953-56
20327-S8	Bolt Door Hinge to Door & Body - 5/16" x 24 x 9/16"	1953-60



BAAA-8122801-A

DOVE TAILS

11A-702570	Dove Tail - Female	1948-52
11A-702574-RK	Female Dove Tail Repair Kit - Includes 2 Cast Wedges and Springs for One Door	1948-52
11A-7023006-A	Dove Tail - Male	1948-52

11A-702570



11A-7023006-A



DOOR HINGE PARTS

B-46440	Door Jam Bumper - need 2 per door	1948-52
B-46335	Door Hinge Pin	1948-52
TL-100	Door Hinge Pin Puller Tool	



B-46335
DOOR HINGE PIN

B-46440
DOOR JAM BUMPER



STRIKER PLATES & RELATED PARTS

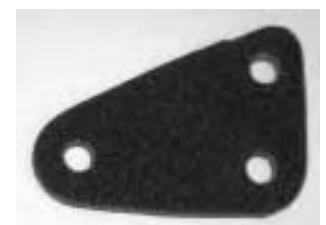
81A-702340	Striker Plate - for door post	1948-52
BAAA-8122008-A	Striker Plate - Right Side	1953-55
BAAA-8122009-A	Striker Plate - Left Side	1953-55
B6C-8122008	Striker Plate - Right Side	1956
B6C-8122009	Striker Plate - Left Side	1956
B6C-8122058-A	Striker Plate Shims	1953-56
353382-S	Striker Plate Bolt	1953-60



B6C-8122008
STRIKER PLATE

81A-702340
STRIKER PLATE

B6C-8122058-A
STRIKER PLATE SHIMS



Door Handles - Outside

7C-8122400-A	Outside Door Handle - Right	1948-52
7C-8122401-A	Outside Door Handle - Left	1948-52
BAAA-702350/1	Outside Door Handles - c/w push button	1953-60
BAAA-8122405-S	Outside Door Handle Shields - Stainless	1953-56



7C-8122401-A



BAAA-702350/1
OUTSIDE DOOR HANDLE



BAAA-8122405-S
DOOR HANDLE SHIELDS

OUTSIDE DOOR HANDLE PADS

7C-8122428	Outside Door Handle Pads	1948-52
BAAA-8122428	Outside Door Handle Pads - 4 pieces	1953-60
BAAA-8122478-A	Outside Door Handle Button Seal	1953-60

Door Handles - Inside

7C-8122614	Inside Door Handle - Exact of Original	1948-52
B5C-8122600	Inside Door Handle - w/ installing clip	1953-55
B6C-8122600	Inside Door Handle	1956
357550-S	Door Handle & Window Crank Handle Installation Clip	1953-55



B5C-8122600



7C-8122614

Window Handles & Parts

INSIDE WINDOW CRANK HANDLES

7C-8123342	Inside Window Crank Handle Assembly - Exact of Original	1948-52
B5C-8123342	Window Crank Handle - With Clip - Inside	1953-55
B6C-8123342	Window Crank Handle - Inside	1956
7C-8123341-S	Window Crank Knob with Pin	1948-52
BAAA-8123341	Window Crank Knob with Pin - Black	1953-56
357550-S	Door Handle & Window Crank Handle Installation Clip	1953-55



7C-8123342



7C-8123341-S



B5C-8123342



BAAA-8123341

WINDOW CRANK & DOOR HANDLE ESCUTCHEONS

7C-8122618	Inside Window Crank & Door Handle Escutcheon	1948-52
BAAA-8122618	Inside Window Crank & Door Handle Escutcheon - Exact as Original - 2 pcs. rubber & Stainless for one handle only	1953-55
B6C-8122618	Inside Window Crank & Door Handle Escutcheon - Stainless Steel	1956

7C-8122618



BAAA-8122618



B6C-8122618



Window Regulators

7C-8123200-A	Window Regulator Assembly - Right Side	1948-52
7C-8123201-A	Window Regulator Assembly - Left Side	1948-52
BAAA-8123200-A	RH Window Regulator Assy - F100-600	1953-55
BAAA-8123201-A	LH Window Regulator Assy. - F100-600	1953-55
B6C-8123200-B	RH Window Regulator Assy. - F100-600	1956
B6C-8123201-B	LH Window Regulator Assy. - F100-600	1956
BA-7023240-A	Roller Assembly for Window Regulator Arm - 2 per door	1953-60



BA-7023240-A



Window Regulators



7C-8123201-A

WINDOW REGULATOR SHAFT REPAIR KIT

7C-8123205-S	Window Crank Shaft Repair Kit	1948-52
BAAA-8123205-S	Window Regulator Shaft Repair Kit Used when shaft is stripped where window crank installs	1953-55
B6C-8123205-S	Window Regulator Shaft Repair Kit Used when shaft is stripped where window crank installs	1956-60



7C-8123205-S



BAAA-8123205-S



B6C-8123205-S

Cab Weld In Panels

1948-1952

COWL PATCH PANELS - FRONT CAB CORNERS

7C-8102054	Cowl Patch Panel - Right Hand	1948-52
7C-8102055	Cowl Patch Panel - Left Hand	1948-52

FLOOR PANS

7C-8111106	Floor Pan - Front - Right Hand	1948-52
7C-8111107	Floor Pan - Front - Left Hand	1948-52

ROCKER PANELS

8C-8110110-PR	Rocker Panel	1948-52
---------------	--------------	---------

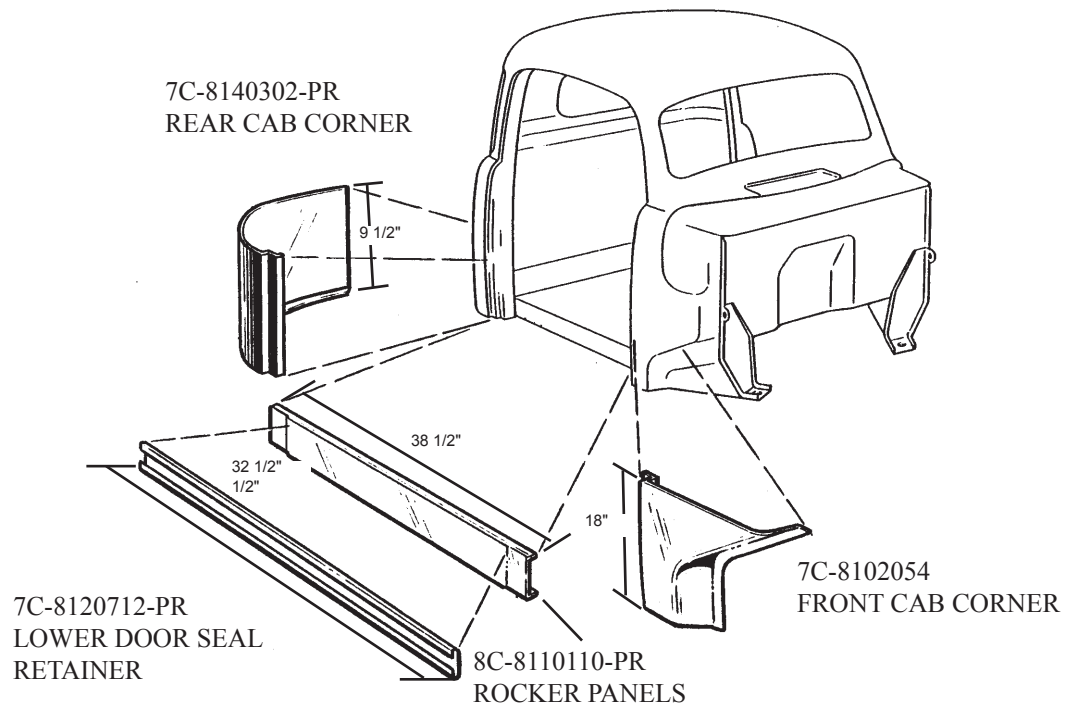
LOWER DOOR SEAL RETAINERS

(Does NOT Include Rubber)

7C-8120712-PR	Lower Door Seal Retainer on Rocker	1948-52
---------------	------------------------------------	---------

REAR CAB CORNERS

7C-8140302	Rear Cab Corner - Right Hand	1948-52
7C-8140303	Rear Cab Corner - Left Hand	1948-52



1953-1956

COWL PATCH PANELS (FRONT CAB CORNERS)

BAAA-8102054	Cowl Patch Panel - Right Hand	1953-56
BAAA-8102055	Cowl Patch Panel - Left Hand	1953-56

ROCKER PANELS

BAAA-8110110-PR	Rocker Panel	1953-56
-----------------	--------------	---------

DOOR PILLAR REPLACEMENT

With Lower Door Hinge Bucket Installed

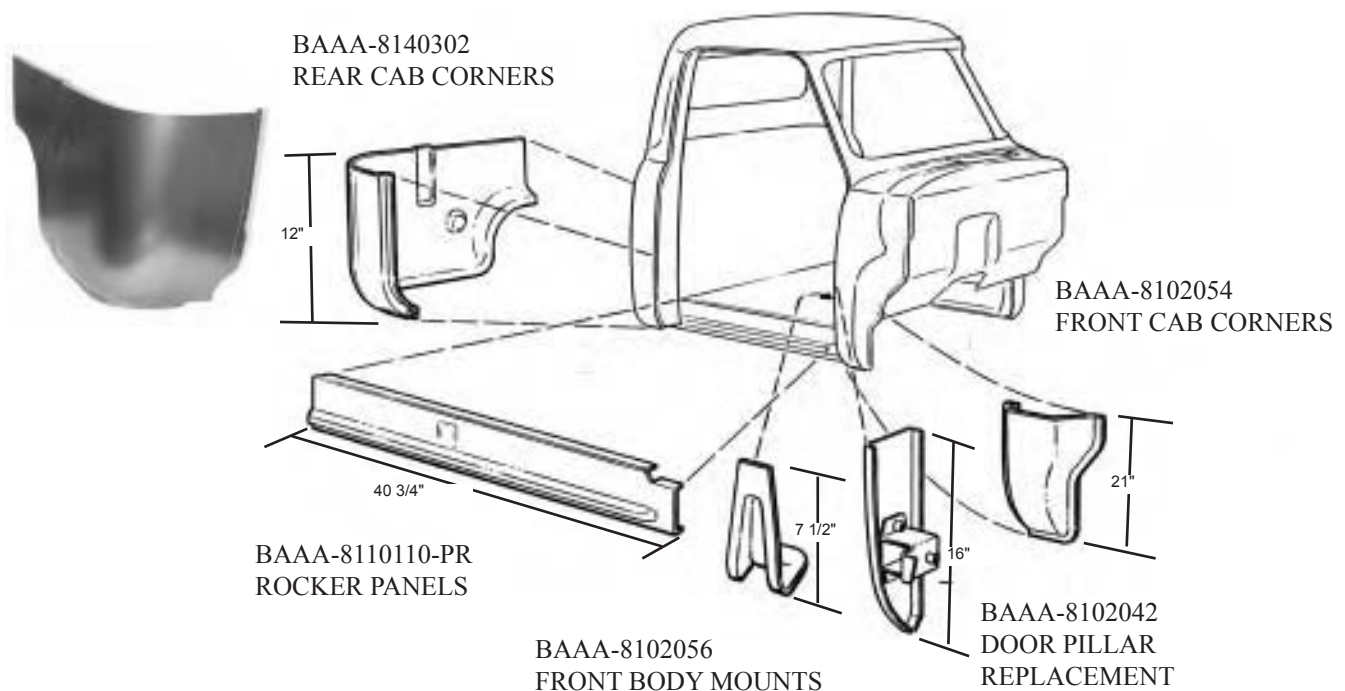
BAAA-8102042	Door Pillar Replacement - Right Hand	1953-56
BAAA-8102043	Door Pillar Replacement - Left Hand	1953-56

FRONT BODY MOUNTS

BAAA-8102056	Front Body Mount - Right Hand	1953-56
BAAA-8102057	Front Body Mount - Left Hand	1953-56

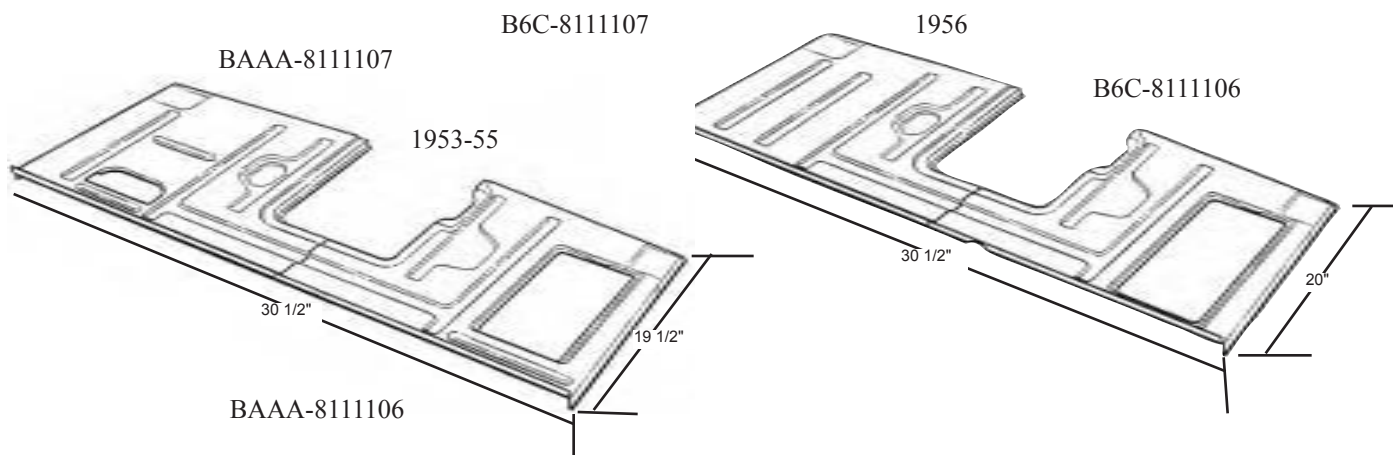
REAR CAB CORNERS

BAAA-8140302-S	Rear Cab Corner - Right hand	1953-56
BAAA-8140303-S	Rear Cab Corner - Left Hand	1953-56



FLOOR PANS

BAAA-8111106	Floor Pan - Front - Right Hand	1953-55
BAAA-8111107	Floor Pan - Front - Left hand	1953-55
53F-5007-R	Floor Pan - Rear	1953-56
B6C-8111106	Floor Pans with Battery Hole - Right Hand	1956
B6C-8111107	Floor Pan - Left Hand	1956



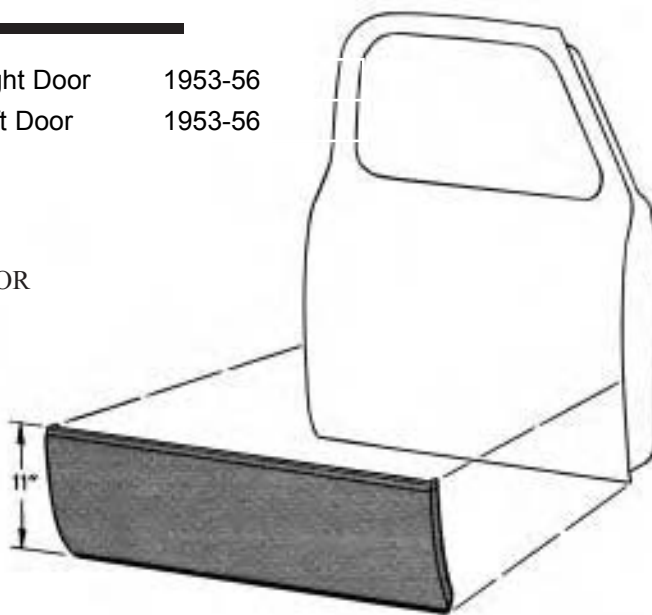
TRANSMISSION FLOOR COVER

53F-10000	Transmission Floor Cover	1953-56
-----------	--------------------------	---------

OUTER DOOR SKINS

BAAA-8120200	Outer Door Skin - Right Door	1953-56
BAAA-8120201	Outer Door Skin - Left Door	1953-56

BAAA-8120200
1953-56 LOWER DOOR
PATCH PANEL



INNER DOOR BOTTOMS

BAAA-8120124 Inner Door - Bottom - Right Door 1953-56
BAAA-8120125 Inner Door - Bottom - Left Door 1953-56

BAAA-8120124
INNER DOOR BOTTOM



LOWER DOOR SEAL RETAINER

(Does NOT Include Rubber)

BAAA-8120712-PR Lower Door Seal Retainer on Door 1953-56

BAAA-8120712-PR
LOWER DOOR SEAL
RETAINER



CAB SKIRT CHANNEL

BAAA-8110112-PR Running Board Seal Retainer 1953-55

BAAA-8110112-PR
CAB SKIRT CHANNEL



FRONT SPLASH APRON

53F-17740 Front Splash Apron 1953
54F-17740 Front Splash Apron 1954
55F-17740 Front Splash Aron 1955-56



Box Parts

BED TO FRAME PARTS

7C-8144155-S	Bed to Frame Pad Kit - Set of eight pads	1948-52
BAAA-8144155-S	Bed to Frame Pad Kit - Set of eight pads	1953-56
7C-8144440	Counter Sunk washer - Cold rolled steel - Cadmium Plated	1948-72
7C-8144440-SS	Counter Sunk Washer - Stainless steel - The above is the special washer that goes on top of the wood that the bed to frame bolt goes through - need 4 per bed	1948-72
350620-S8	Bed to Frame Bolt for Front of Bed - No nuts - need 2 per bed	1948-63
350623-S	Bed to Frame Bolt - goes with above washer - No nuts need 4 - Bolts are 7/16"x20 thread	1948-63
34447-S2	Self Locking Nut for Bed to Frame Bolt (350620-S8 & 350623-S)	1948-63



7C-8144440



350623-S

350620-S8

COMPLETE PICKUP BEDS

Beds Include: Sides c/w Stake Pockets, Bed Front, Tailgate, Subrails, Wood and Bed Strips, Tailgate Chains and Bolt Kit.

The 1948-50 Bed Floors were Originally all Steel with a Wood Subframe, but are also available with the Oak Boards and Bedstrips - Stainless Strips and Bolts are also available in place of the Steel Bolts and Bedstrips.

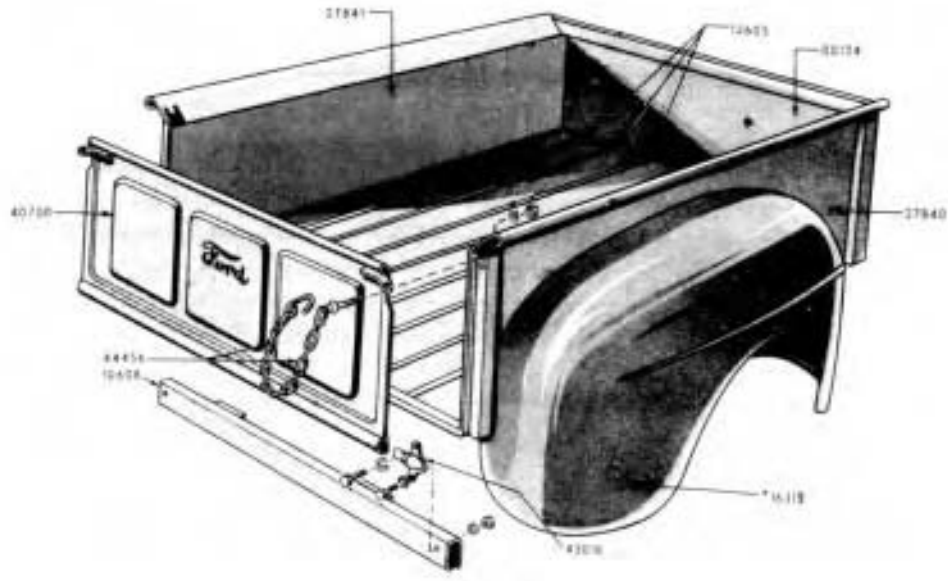
1948-50	Bed - Call for Options and Pricing
1950-52	Bed - Call for Options and Pricing
1953-56	Bed - Call for Options and Pricing

BED RELATED PARTS

21C-8300124	Front of Box Panel	1942-50
8C-8300124	Front of Box Panel for Pick-up with 110", 114", 115" wheel base	1951-72
21C-8310608	Rear Bed Cross Member	1948-50
1C-8310608	Rear Bed Cross Member	1951-56
1C-8310610-A	Front Section Cross Member	1951-52
BAAA-8310610-A	Front Section Cross Member	1953-56
8C-8110611-PR	Front Bed Metal Cross Member to Bed Wood Spacer	1948-72
8C-8310705	Center Section Cross Member - need two per bed	1948-50
8C-8310705A	Centre Section Crossmember - 2 Required	1951-72



7C-8144150-S	Box Side to Wood Floor Seal - Rubber	1948-56
8C-830500	Bed Side - Left c/w Stake Pockets	1948-50
8C-830501	Bed Side - Right c/w Stake Pockets	1948-50
*1C-830500	Bed Side - Right Side c/w Stake Pockets	1951-52
*1C-830504	Bed Side - Left Side c/w Stake Pockets	1951-52
*BAAA-830500	Bed Side - Right Side c/w Stake Pockets	1953-72
*BAAA-830501	Bed Side - Left Side c/w Stake Pockets	1953-72
BAAA-8140320-A	Rear Roll Pan - Plain	1953-56
BAAA-8140320-B	Rear Roll Pan with License Plate Recess	1953-56
BAAA-8140320-C	Rear Roll Pan with Taillights, NO license Plate Recess	1953-56
BAAA-8140320-D	Rear Roll Pan with License Plate Recess & Taillights	1953-56
8C-8110609-CR	Bed Boards End Cap Strip at Rear - Steel	
8C-8110609-SS	Bed Boards End Cap Strip at Rear - Stainless	
8C-8110609-SSP	Bed Boards End Cap Strip at Rear - Polished Stainless	
7C-8310600	Original Style Steel Floor	1948-50
7C-810600W	Wood Subfloor for Steel Floor	1948-50



01-101-1.565 LED Tail, Brake and Signal Lights - Fit into Bed Side Top Roll
 01-101-00 Bed Roll Aluminum Plugs available Plain or Polished - Specify

01-101-1.565



01-101-00



Tailgate & Related Parts

21C-8340700	Tailgate Assembly for Top of Roll	1942-50
8C-8340700	Tailgate Assembly for Below Roll	1950-52

NOTE: When ordering tailgate for 1950 it is very important to state if the bracket for chains are in the top of the roll or below the roll.

B7C-8340700-A	Tailgate Assembly for Stepside Only - Made off original dies - F-100 with 110", 114", 115" wheel Base	1953-72
BAAA-8340725-A	Side of Tailgate to Bed Bumper - goes in tailgate side	1953-72
8C-8343018	Tailgate Hinge	1942-72
8C-8343018-SS	Tailgate Hinge - Stainless	1942-72
B-78443	Tailgate Chain Bracket - Rivets to box Side - 2 required	1948-50
B-78441	Tailgate Chain Top Link - 2 required	1948-50
B-78445	Tailgate End - Cast Iron - 2 required	1948-50
46-830824	Retainer Spring for Tailgate Hook - 2 required	1948-50
B-78438	Tailgate Chain Hook - 2 required	1948-52
B-78440	Tailgate Chain - 2 required	1948-52
7C-8144450-S	Tailgate Chain Rubber Cover Only	1948-56

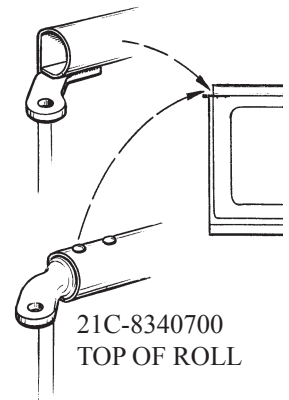
BAAA-8344456-SS
CHAINS



8C-8343018-SSP



8C-8340700
BELOW ROLL



21C-8340700
TOP OF ROLL

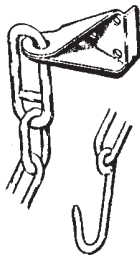


B7C-8340700-A
Step Side Tailgate
Assembly - 100",
114", 115" wheel
base - MADE FROM
ORIGINAL FORD
TOOLING - Fits:
1953-72

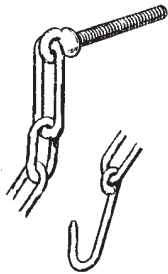


TG-8344456-PR	Tailgate Latches in top roll - Step Side - Does away w/ Chains	1953-79
21C-8344456-PR	Tailgate Chains & Brackets - Prime Red - Not assembled	1942-50
1C-8344456-PR	Tailgate Chains & Brackets - Prime Red - Not assembled	1951-52
BAAA-8344456-A	Tailgate Chains & Brackets - Rubber Cover included - Zinc Plated - Fits: 110", 114", 115" Wheel Base Pick-up	1953-72
BAAA-8344456-SS	Tailgate Chains & Brackets - Rubber Cover included - Polished Stainless Steel - Fits: 110", 114", 115" Wheel Base Pick-up	1953-72
BAAA-8344458-S	Tailgate Chain Special Rubber Bumper - Fits in bracket, Comes with Chains	1953-72
26-300-016	Hidden Latch and Strap Kit for Stock Tailgates	
29-001-016	Tailgate Strap Kit only	

21C-8344456-PR



1C-8344456-PR



26-300-016

Eliminates Tailgate Chains



TG-8344456-PR



BAAA-8344456-SS

BED STRIPS WITH HOLES

Fits 6 1/2' Beds - All holes punched square - Ready for installation

7C-8112605-CR	Bed Strips - Cold Rolled Steel - 76 3/4" - sold each	1948-56
7C-8112605-SS	Bed Strips - Bright Stainless - 76 3/4" - sold each	1948-56
7C-8112605-SSP	Bed Strips - Polished Stainless Steel - 76 3/4" - sold each	1948-56
Bolts For Above Strips - Use when replacing the bed strips		
7C-8112610-PF	Carriage Bolt - Fine threaded - Plain Finish Bolt with zinc plated nut & lock washer - Kit includes: 49 bolts and 21 large flat washers	1948-56
7C-8112610-CC	Carriage Bolt - Same as above except chrome plated bolt	1948-56
7C-8112610-SS	Carriage Bolt - Not polished - same as above except stainless steel	1948-56
7C-8112610-SSP	Bed Strip Bolt Kit - Polished - Same as above except stanless steel	1948-62

NOTE: Nuts & Washers are NOT stainless

BOTTOM OF BED BOLT, NUT & WASHER KITS

NOTE: The kit is for 6 1/2" beds. Use this kit when replacing all of the wood & bed strips. All nuts and washers are zinc plated. The kit includes: 65 nuts & lock washers, 21 large flat washers & 6 small flat washers. Complete placement instructions are also included in the kit. Stainless steel bolts do not have stainless nuts & washers.

7C-8112615-PF	Bed Bolt Kit - Plain Finish	1948-56
7C-8112615-CC	Bed Bolt Kit - Chrome Finish	1948-56
7C-8112615-SS	Bed Bolt Kit - Stainless Steel	1948-56
7C-8112615-SSP	Bed Bolt Kit - Polished Stainless	1948-56

NOTE: Carriage Bolts below are fine threaded 1 1/2" for bed strips with square holes

23501-P	Carriage Bolt - Plain finish
23501-CC	Carriage Bolt - Chrome Finish
23501-SS	Carriage Bolt - Stainless Steel
23501-SSP	Carriage Bolt - Polished Stainless Steel

BED STRIPS - NO HOLES

No Holes Punched - Drill your Own

7C-8112605-CRU	Bed Strips - Cold Rolled Steel - 76 3/4 - sold each	1948-56
7C-8112605-SSU	Bed Strips - Bright Stainless Steel - 76 3/4" - sold each	1948-56
7C-8112605-SSUP	Bed Strips - Stainless Steel Polished - 76 3/4" - sold each	
BAAA-8112605-CRU	Bed Strips - Cold Rolled Steel - 95" - sold each	1948-56
BAAA-8112605-SSU	Bed Strips - Bright Stainless Steel - 95" - sold each	1948-56

Bolts for above strips (No Holes) - These bolts have knurled underheads.

To install them you must first drill a 9/32" hole in the strip for a press fit.

BAAA-8112612-PF	Bolt - Plain Finish - Zinc plated nut & lock washer 63 of each plus 21 large flat washers
BAAA-8112612-CC	Bolt - Chrome Finish - zinc plated nut & lock washer 63 of each plus 21 large flat washers
23503-P	Bolt - Plain Finish - Knurled
23503-CC	Bolt - Chrome Finish - Knurled



1948 TO 1956 Ford Pickup Catalogue

www.oldcarcentre.com

BOTTOM OF BED BOLT, NUT & WASHER KITS

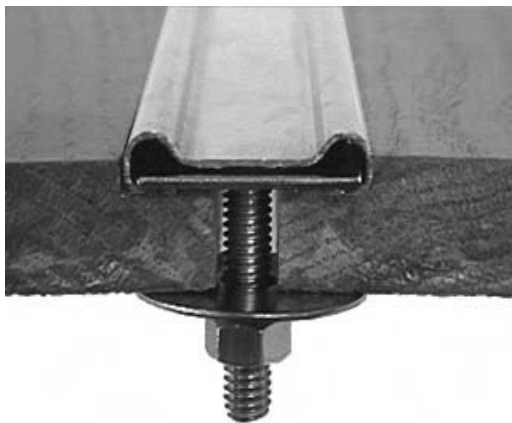
NOTE: The kit is for 8' beds. Use this kit when replacing all of the wood & bed strips. Kit Includes: 63 press-in bolts for bed strips, 10 bolts for side of bed, 21 large & small flat washers, 65 lock washers, and 73 nuts. Complete placement instructions are included in kit.

BAAA-8112615-PF	Bed Strip & Bed Side Kits - Plain Finish- All nuts & washers are zinc plated	1948-56
BAAA-8112615-CC	Bed Strip & Bed Side Kits - Chrome Finish All nuts & washers are zinc plated	1948-56

WOW STRIPS

WOW Strips maintain the shape and contour of original strips but have a sliding T-bolt type fastener on the bottom of the strip. This system fully duplicates all the strength of the original strips without exposed fasteners. One part number fits all makes and models. Polished Stainless Steel.

28-100-100	WOW Strips - 7 pc set - 82" long	All
28-100-099	49 piece set - use without side angles	All



Bedwood

7C-8310600A	Select Oak Wooden Boards - Set of 8 boards for 6 1/2' bed. All are pre-cut for Strips only, ready to Finish & Install	1948-56
-------------	--	---------

Panel Trucks Only

11A-13404	Panel Taillight Assembly - Complete Right Side	1948-56
11A-13405	Panel Taillight Assembly - Complete Left Side	1948-56
11A-13420	Housing to Body Gasket - Rubber	1948-56
11A-13450	Taillight Lens - Glass	1948-56
11A-13450-BD	Taillight Lens - Blue Dot - Glass	1948-56
11A-13461	Lens to Housing Gasket	1948-56
7RA-13568	License Plate Light Lens to Housing Gasket	1948-56
8A-13550-A	Licence Plate Lamp Assy.	1948-56
BAAA-16540-C	Bottom of Cab to Running Board Seal - Panel Only	1953-56
7C-9080-P	Gas Tank Neck Grommet - Panel Only	1948-52
BAAA-9080-A	Gas Tank Neck Grommet - Panel Only	1953-56
BAAA-8222428-P	Panel Back Door Handle Pad	1948-56
8M-7943426	Inside Rear Door Opener Handle	1948-56
B-7022840	Rear Door Hinge Pin with Oil Groove	1948-56
81C-825950	Panel Rear Door Dovetail - male	1948-56
01C-8244123	Panel Rear Door Check Bumper	1940-52
7C-8227838-PR	Running Board to Rear Fender Special Rubber	1948-52
7C-8242084-P	Back Window Rubber - Ends bonded in endless circle	1948-52
BAAA-8242084-P	Back Window Rubber - Ends bonded in endless circle	1953-56
8C-8243722-PR	Panel Rear Door Seals - Complete with special molded corners - Exactly as original	1948-52
BAAA-8243722-PR	Panel Rear Door Seals - Complete with Special molded corners - Exactly as original	1953-56
B5C-8251968-P	Headliner for Panel Only	1953-55
B6C-8251968-P	Headliner for Panel Only	1956
BAAA-8150956	Seal to Hold Headliner	1953-56
BAAA-8150960	Clip to Hold Seal & Headliner	1953-56
BAAA-8150960-S	Clips to Hold Seal & Headliner - Set of 16	1953-56
7C-8226600-A	Rear Door Outside Door Handle - Panel Only Longer Shaft so inside door handle may be attached	1948-56

Back Window
Rubber Seal



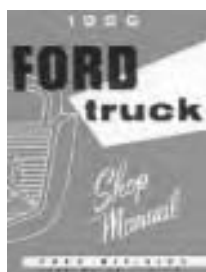
11A-13420
Taillight to Body Pad

7C-8226600-A
Rear Door Outside Door Handle



Books & Manuals

BKS-102108	Shop Manual	1948-52
BKS-114127	Shop Manual	1953
BKS-102018	Shop Manual	1954-55
BKS-5600	Shop Manual	1956
BKS-135421	Flathead V-8 Builders Handbook - By Fisher Books	1932-53
BKS-125715	Flathead Guide by Thunder Road - Modifications on the engine ignition, electrical system, overdrive, carburetion, cooling and more	
BKS-135772	How to Build Ford Flathead V-8 - 250 color photos - 192 pages	
BKS-133670	How to Build Hi-Performance Street Flathead	
BKS-132790	The Complete Ford Flathead V-8 Engine Manual - by Tex Smith	
BKS-118396	How To Restore Your Ford Pickup - Step by-step Restoration Guide for Ford Trucks 1946-67 (224 pages)	1946-67
BKS-102124	Ford Pickups Photo Album - Containing Factory and Original Unrestored Photos - 140 pages - 150 Illustrations	1932-52
BKS-101994	Rebuilding Famous Ford Flathead	
TR-4810	Operators Manual	1948
TR-4910	Operators Manual	1949
TR-5010	Operators Manual	1950
TR-5110	Operators Manual	1951-52
TR-5310	Operators Manual	1953
TR-5410	Operators Manual	1954
TR-5510	Operators Manual	1955
TR-5610	Operators Manual	1956



Decals

DF-9	Battery Warranty Certificate	1939-53
DF-32	Voltage Regulator Decal	1956-57
DF-33	Coil Decal	1956-64
DF-64	Oil Filter Decal - V-8	1948-53
DF-68	Generator Decal	1956
DF-70	Valve Cover Decals - V-8	1956-60
DF-81	Automatic Transmission Glove Box Decal	1955-56
DF-82	Oil Filter Decal	1954-56
DF-84	Voltage Regulator Decal	1955
DF-109	Voltage Regulator Decal	1952-54
DF-120	FOMOCO Antifreeze Tag	1953-64
DF-131	Starter Decal	1956-57
DF-143	Air Cleaner Decal - Oil Bath	1948-53
DF-229	Engine Foundry Tag	1954-58
DF-357	Air Cleaner Decal - Oil Bath	1948-51
DF-375	Oil Filter Decal Set	1952-53
DF-390	Oil Pressure Decal	1955-56
DF-490	Fresh Air Heater Control Panel Decal	1953-56
DF-561	Recirculating Heater Control Panel Decal	1953-56
DF-642	Valve Cover Decal - V-8 Power King 130	1954
DF-679	Truck Pre-Delivery Sheet	1953-56
DF-686	Windshield Washer Bottle Bracket Decal	1948-52
DF-688	Ford Letters for Tailgate Step Side Style - Blue	1953-72
DF-689	Ford Letters for Tailgate Step Side Style - White	1953-72
DF-690	Ford Letters for Tailgate Step Side Style - Black	1953-72
DF-691	Ford Letters for Tailgate Step Side Style - Silver	1953-72
DF-692	Ford Letters for Tailgate Step Side Style - White	1953-72
DF-892	Valve Cover Decal - Power King - V-8	1955
DF-1124	Air Cleaner Service Instructions Decal	1954
DF-1125	Generator Warning Tag	1956-64
DF-1134	Generator Warning Tag	1949-55



Custom Parts

STEEL MONO LEAF SPRINGS - "THE ONE AND ONLY"

Meet or Exceed Multi-Leaf Specs and Provide Superior Ride and Handling, U-bolts included -
Please Specify stock or reversed eye - Sold In Pairs

F-1F	Front	1948-52
F-1R	Rear	1948-52
F-100F	Front	1953-56
F-100R1	Rear	1953-54
F-100R2	Rear	1955-56

MUSTANG II INDEPENDENT FRONT SUSPENSION CROSSMEMBER KITS

Weld In Kits:

2303	Includes Custom Crossmember, Custom Upper Control Mounts & Instructions	1948-52
2301	Includes Custom Crossmember, Shock Mounts, Rack Extenders & Instructions	1953-56
2935	Includes Crossmember, Rack c/w Tie Rod Ends, Tubular upper and lower Control Arms, 1" Vented Rotor Disc Brake Kit c/w Calipers and Pads, 2" Dropped Spindles	
2935P	Same as 2935 above: Includes Power Rack	
FSB	Front Sway Bar for Mustang II I.F.S. , Includes Hardware & Instructions	1948-52
FSBW	Front Sway Bar For Mustang II I.F.S., Includes Hardware & Instructions	1953-56



MUSTANG II ROTORS & BEARING KITS

New Rotors Stock Diameter with a 5 Lug Chevy or Ford Bolt Pattern. These are New Rotors that have not been Plugged and Redrilled to Achieve a 5 Lug Bolt Pattern. We Also Offer a New Set of Front Wheel Bearings & Seals for these Rotors. Sold In Pairs

- 2035 Ford Bolt Pattern
- 2039 Chevy Bolt Pattern
- 2037 Bearings and Seal Kit - Does Both Sides

We Also Offer Many Other Parts for the Mustang II I.F.S. Front End along with U-Joints & Shafts. Call for pricing and availability on aftermarket parts not listed.

MUSTANG II DISC BRAKE KIT AND PEDAL ASSEMBLIES

- 4002 1" Vented Rotor Front Disk Brake Kit, Fits 1948-56 Ford Pickup Spindle - Kit Includes: Hubs, Rotors, Calipers and Caliper Mounting Brackets. Hubs available with 4 1/2" - 4 3/4" - 5" or 5 1/2" Wheel Bolt Pattern
- 4849P Power Brake Pedal - Booster - Mastercylinder Assembly 1948-52
- 4852P Power Brake Pedal - Booster - Mastercylinder Assembly 1953-56

REAR PARALLEL LEAF SPRING KIT

Includes New Leaf Springs, Front Hangers, Rear Shackle Hangers, Upper and Lower Shock Mounts, Shocks, Bolts, New Axle Pads and Instructions.

- 2363 1948-56

REAR PARALLEL LINK KIT

- 3056 Designed to be Used With 8" or 9" Ford Rear Ends: Includes all Bars, Brackets, Hardware, Coil-Overs & Instructions 1953-56

COIL-OVER SHOCKS

- 3000 Coil-Over Shocks with Springs. Sold in Pairs
- 3000C Chrome Coil-Over Shocks with Springs - Sold in Pairs
- 3112 Coil-Over Bolt Kit
- 3112C Chrome Coil-Over Bolt Kit



SIDE MOUNT ENGINE BRACKETS - WELD ON

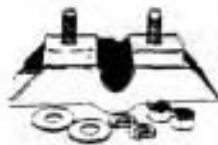
6654	Small Block Chev	1948-52
6653	Small Block Chev	1953-56
6654F	Small Block Ford	1948-52
6653F	Small Block Ford	1953-56

ENGINE MOTOR MOUNTS

6650	Chevy V8	All
6652	Ford V8	All

TRANSMISSION MOUNT PAD

6660	Chevy - Rubber/Steel Style. A new transmission mount pad. Fits most standard & automatic Chevy transmission. Specity Trans.
6662	Ford - Special mounting pad made available to go between the Ford C-4 or C-6 automatic transmission.



CROSSMEMBER MOUNT - UNIVERSAL

Eliminate Problems of Fabricating Rear Crossmember. Necessary to Support most all Standard and Automatic Transmissions in open channel frame with widths of 26" to 36" between rails. Use with stock transmission mount pads.

TD-4539	3" Drop
TD-9424	6" Drop



TRANSMISSION MOUNT CROSSMEMBER

6748	GM or Ford Transmission	1948-52
6753	GM or Ford Transmission	1953-56

WALKER RADIATORS

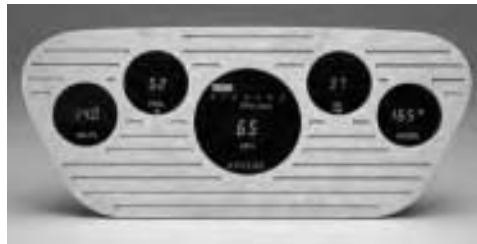
Custom Bolt-In Heavy Duty Rad. Includes Built-In Automatic Transmission Cooler. Specify Engine Type when Ordering

5004W		1948-52
5008W	With A/C Condenser	1948-52



DAKOTA DIGITAL DASHES

1953-56 Available Installed In an Aluminum Panel or Your Original Dash Panel.
Please call for Current Pricing and Information



ALUMINUM DASH INSERTS

Please Specify Type of Gauges you are Using as They are only Available for Certain Types.

AD-5355	1953-55
AD-1956	1956

AIR CONDITIONING - HEAT/AIR KITS

Complete Kit Includes Evaporator, Hose Kit, Condenser, Drier, Compressor and Bracket. Units are Made to Fit Behind the Dash for Custom Appearance. Evaporator Unit also Available Separately.

74053LFU	Complete Kit	1953-56
75053LFZ	Evaporator Kit	1953-56



1948 TO 1956 Ford Pickup Catalogue

www.oldcarcentre.com

BILLET ALUMINUM INSIDE HANDLES

9450	Door Handles - sold in pairs	1948-66
9451	Window Handles - sold in pairs	1948-66

GLIDE ENGINEERING SPLIT BACK SEAT ASSEMBLY

9256	Includes Slider, Storage Base and Mounting Brackets	1953-56
------	---	---------

Fiberglass Fenders

WESCOTT - FIBERGLASS FRONT FENDERS

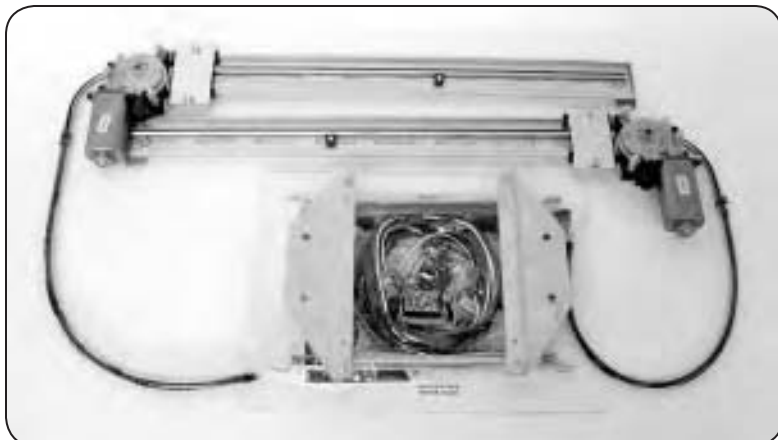
RFF-4850PU	Right Front Fender	1948-50
LFF-4850PU	Left Front Fender	1948-50
RFE-4850PU	Right Front Extension	1948-50
LFE-4850PU	Left Front Extension	1948-50
RFF-5152PU	Right Front Fender	1951-52
LFF-5152PU	Left Front Fender	1951-52
RFE-5152PU	Right Front Extension	1951-52
LFE-5152PU	Left Front Extension	1951-52

WESCOTT - FIBERGLASS REAR FENDERS

RRF-4850PU	Right Rear Fender	1948-50
LRF-4850PU	Left Rear Fender	1948-50
RRF-5152PU	Right Rear Fender	1951-52
LRF-5152PU	Left Rear Fender	1951-52

POWER WINDOW KIT

9270 Power Window Kit - Electric 12 volt - Universal 1948-72
Fits All 12 volt - Includes: 2 power lifts - Regulators



SMART ANTENNA

Replaces AM/FM Outside Antenna - Patent Protected Technology
Superior Signal to Noise Ratio - Totally Non-Directional- Works 360'
No Drilling or Grounding - No Damage by Vandalism, Accidents or Corrosion.
Quickly and Easily Installed - Life Time Warranty

9000 Antenna Assembly

CAR COVERS

We Offer a Variety of Custom Made Covers for Your Truck. They are Available in Various Types of Materials. These are Made to Fit, Not a Universal Type. Please Call or Write for Pricing and Availability for Your Truck



1948 TO 1956 Ford Pickup Catalogue
www.oldcarcentre.com

Shop Photos



The Old Car Centre Show Room...

The front of our 6000 sq. ft. store has a large display of chassis and chassis parts along with bodies and accessories.

If you are in the area, please drop in and say hello!



- **Metal Garage Art Sign**
21" w x 15" high, 5 colour
Old Car Centre Metal Sign.....\$29.95 ea.

- **T-Shirts**
100% cotton imprinted with our logo in six colors

- **Embroidered Ball Caps**

- **Sweat Tops**

- **Rodders Journal**



Index

A

Accelerator Pedal	4
Accelerator Parts	5
Air Conditioning	100
Antenna	62
Antenna (Hidden).....	102
Anti-rattlers	74-76
Anti-squeak	51
Arm Rest	72
Axle Bumpers	6
Axle Rear	11

B

Back Window Rubber	66
Battery Box Parts	12
Battery Cables	47
Battery Hole Cover Seals	64
Beauty Rings	2
Bed Related Parts	88-93
Bed Strips & Bolts	92,93
Bed Wood	93
Books & Manuals	95
Body Mounts	85
Box Parts	88,89
Brake Parts	2-5
Brake Pedal Parts	5
Breather Caps	22
Bumpers	61

C

Cab Patch Panels	84-87
Cab Side Emblems	55
Cab To Frame Pad Kits	16
Camshaft	19
Car Covers	102
Carburetor Repair Kits	33
Choke & Throttle Cable	33
Cigar Assemblies & knobs	50
Clutch Release Parts	26
Clutch Pedal Parts	5
Coil	39
Coil-Over Shocks (Custom).....	98
Column Shift Parts	25
Connecting Rod	19
Condenser	39
Cooling System	27-29
Cowl Kick Panels	65
Cowl Lacing (Hood)	56
Cowl Pan Plugs	64

Cowl To Fender Seals	51
Cowl Vent Gasket	65
Crankshaft	20
Crossover Pipes	13
Custom Parts	97-102
Cylinder Head Parts	18

D

Dash Bezels	35
Dash Knobs	67-68
Dash (Digital).....	100
Dash Inserts (Custom).....	100
Decals	96
Defroster Hose	63
Differential	11
Dimmer Switch	46
Distributor	39
Door Emblems	72
Door Latch	79
Door Handles	81
Door Hardware	79-83
Door Hinge Parts	80
Dome Light Parts	47
Dome Light Wiring	49
Door Arm Rests	72
Door Emblems	72
Door Glass Runs	74-76
Door Handles	81
Door Handles (Custom)	101
Door Hardware	79,80
Door Locks	79
Door Panels	65
Door Seals & Trim	73
Door Skins	86
Door & Window Handles	81,82
Drag Links	7

E

Electric Fuel Pumps	33
Emblems - Door	72
Emblems - Grill	30
Emblems - Hood & Side	55
Emergency Brake Parts	4
Engine Gaskets	17
Engine Parts	17-21
Engine Mounts (Universal).....	99
Engine Mounts - Front	17
Engine Mounts - Rear	18

Exhaust System	12-13
Exhaust Deflectors	13

F

Fan Belts	29
Fenders - Steel	52,53
Fenders - Fiberglass	101
Fender Welt & Seals	51
Firewall & Cowl	64,65
Firewall Covers	64,65
Firewall Grommets	50
Floor Mats	70
Floor Pans	84,86
Floor Pan Plugs	64
Floor Seals - Column	8
Flywheel Related Parts	21
Front End Parts	6,7
Front Motor Mounts	17
Front Spring Shackles	14
Fuel Lines	33
Fuel Pumps	33
Fuel Systems	31-33

G

Gasket Sets	17
Gas Cap	31
Gas Sending Unit	32
Gas Tank & Related	31-33
Gear Shift Parts	25
Generator Parts	34,35
Glove Box & Parts	69
Grille Emblems	30

H

Headlight Dimmer Switch	46
Headlight Parts	40
Headlight Switch & Wiring	37
Headlight Wiring	48
Headliner Kits	71
Head Gaskets	17
Heater Parts	63
Heat/Air Conditioning Kits	100
Hood Emblems	55
Hood Parts	56
Hood Side Emblems	55
Horn Button	10
Horn Relay	10
Horn Relay Wiring	49
Hub Caps	1

I

Ignition Parts.....	39
Ignition Switches & Keys.....	37
Inner Fender Panels.....	52,53
Inside Door Handles.....	81
Inside Rear View Mirror.....	57
Instrument Cluster.....	35

K

Key Blanks.....	37
Kick Panels.....	65
King Pin Sets.....	6
Knobs.....	67-68

L

Lamp Switches.....	46
Leaf Springs (Custom).....	97
License Plate Light.....	46
License Plate Light Panel Truck.....	45
Locking Gas Cap.....	31
Lock Sets.....	79

M

Main Bearings.....	20
Master Cylinder.....	4
Master Cylinder Cover Plate.....	4
Mirrors Interior / Exterior.....	57
Motor Mounts - Front.....	17
Motor Mounts - Rear.....	18
Muffler.....	12
Must.II- Rotor/Bearing Kits.....	98
Must.II- Front Crossmember.....	97

O

Oil Breather Caps.....	22
Oil Filters.....	22
Oil Pressure Sending Unit.....	33
Oil Pumps Assemblies.....	22
Outer Beauty Rings.....	2
Outside Door Handles.....	81
Outside Rear View Mirror.....	57
Overdrive Parts.....	22

P

Panel Truck Parts.....	94
Panel Truck Taillights.....	45
Parking Brake Cable.....	4
Parklight Assemblies.....	40

Parklight Parts.....	41
Parklight Wiring.....	48
Patch Panels.....	84-87
Patent Data Plate.....	47
Pedal Parts.....	5
Pistons & Rings.....	18
Pittman Arm.....	8
Plugs Cowl & Floor Pan.....	64
Points.....	39
Power Window Kit.....	102

R

Radiator (Walker) - Custom.....	100
Radiator Caps.....	27
Radiator Hoses Clamps.....	28
Radiator Parts.....	27,28
Radio Parts.....	72
Rear Axle.....	1,11
Rear Motor Mounts.....	18
Rear Parallel Leaf/Link Kits.....	98
Rear Spring Shackles.....	15
Rear View Mirror (Inside/Out).....	57
Rear Window Rubber.....	66
Repair Panels - Steel.....	84-87
Rings & Gears.....	11
Rocker Panels.....	84,85
Rod Bearings.....	19
Roll Pan.....	61
Rotor.....	39
Running Boards & Parts.....	54

S

Seat Assembly.....	101
Shift Indicator.....	25
Shock Absorbers.....	13
Shop Manuals.....	95
Signal Flasher.....	46
Slushing Compound.....	32
Spark Plugs & Wires.....	38
Speedometer & Parts.....	56
Spring Shackles (Front).....	14
Spring Shackles (Rear).....	15
Starter.....	36
Steering Column.....	8,9
Steering Sector Parts.....	8
Steering Wheel.....	9
Steering Worm Shaft.....	8
Step Plates.....	54
Stoplight Switch.....	46

Striker Plates.....	80
Sun Visor & Brackets.....	70
Suspension Parts.....	6,7

T

Tailgate & Parts.....	90,91
Taillight Assemblies.....	42
Taillight Parts.....	42-45
Taillights & Parts Panel Truck.....	45
Taillight Wiring.....	44,48
Tailpipe.....	12
Temperature Sender.....	35
Thermostats.....	28
Throttle Cable.....	33
Tie Rod End.....	6
Timing Gear.....	19
Transmission Floor Cover.....	86
Transmission Parts.....	22-24
Transmission Crossmember.....	99
Turn Signal Switch.....	46

U

Under Hood Wiring.....	49
Universal Engine Mounts.....	99
Universal Joints.....	22

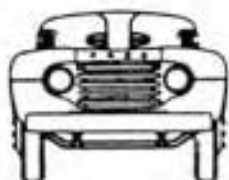
V

V-8 Emblems.....	30
Valve Train Parts.....	21
Vent Window Rubber.....	77
Vent Window Frame Parts.....	77,78
Vent Window Handles.....	78
Voltage Reducer.....	35
Voltage Regulator.....	34

W

Water Pumps.....	29
Weld-in Repair Panels.....	84-89
Wheel Parts.....	1-3
Window Anti-Rattlers.....	74-77
Window Handles & Parts.....	82
Window Regulators.....	83
Window Shades.....	60
Windshield Rubber.....	66
Wiper Arms & Blades.....	59
Wiper Motors/ Parts.....	58-60
Wiring.....	48,49

1948-50



1948-50



DELUXE CAR

1951



STANDARD CAR



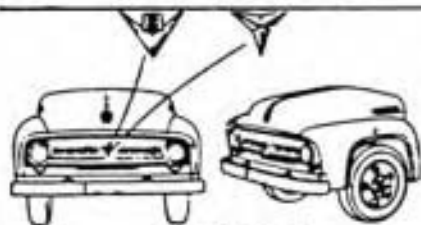
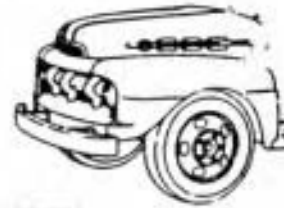
DELUXE CAR



1952

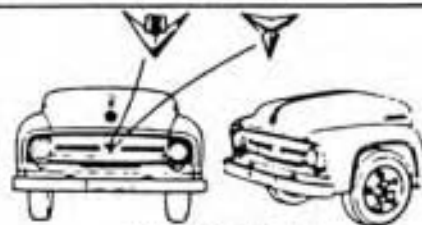


STANDARD CAR

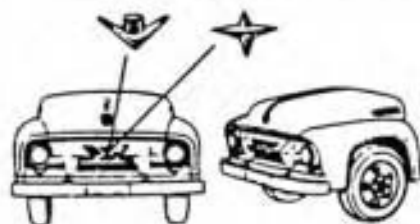


DELUXE CAR

1953

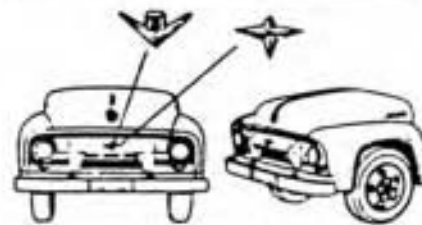


STANDARD CAR

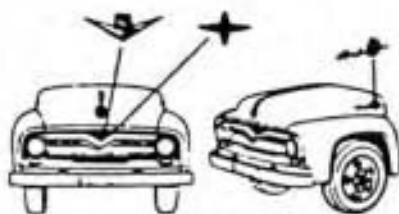


DELUXE CAR

1954

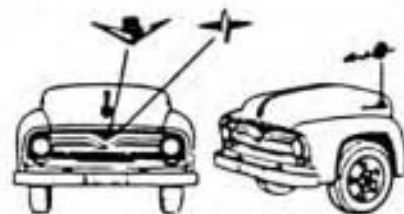


STANDARD CAR



CUSTOM CAR

1955



STANDARD CAR

1956



1956